



Air Impulse Wrench

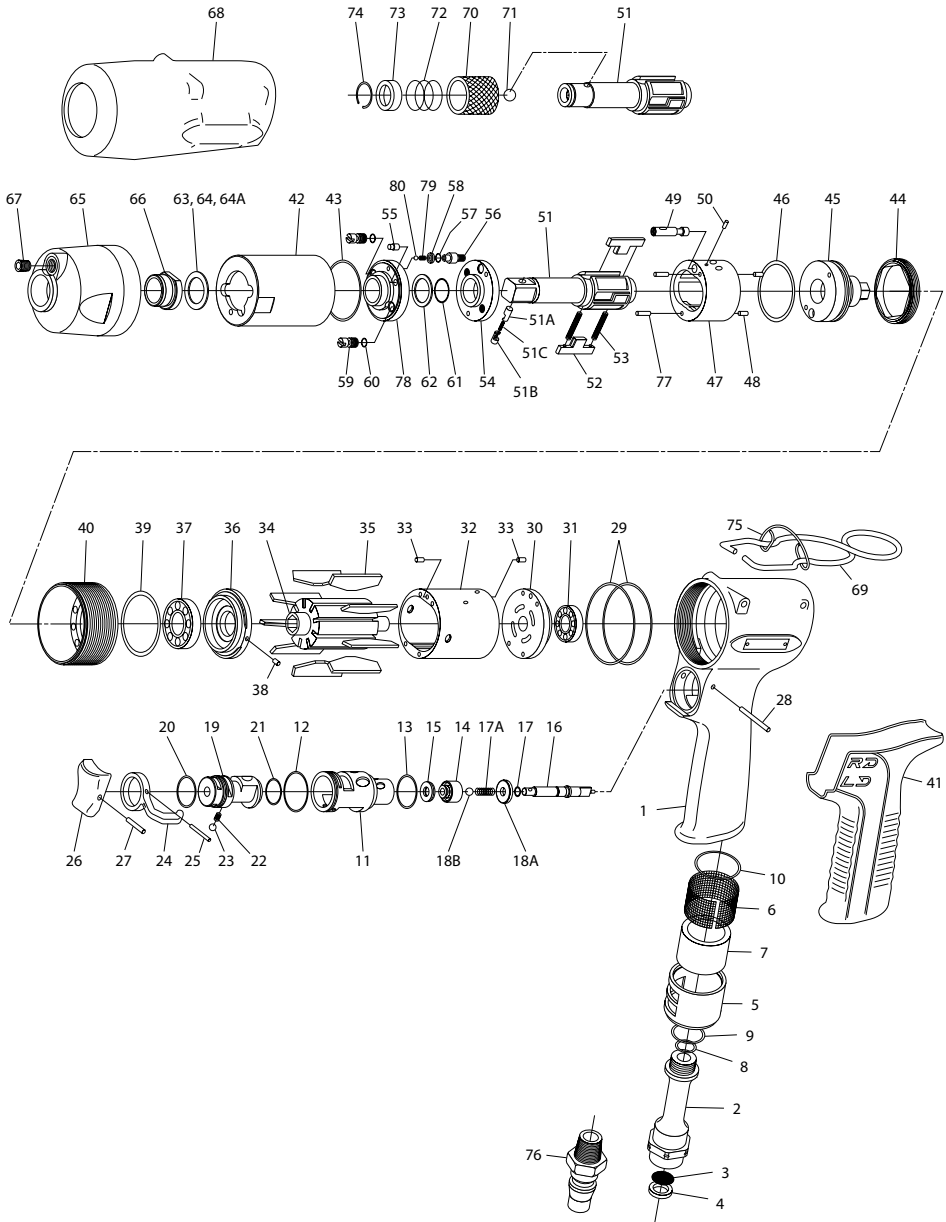
**Q60P3, Q60PQ1, Q70P3, Q70PQ1, Q80P3, Q80PQ1,
Q90P3, Q110P4, Q120P4, and Q140P4**

Parts Information



Save These Instructions

Q60P3, Q60PQ1, Q70P3, Q70PQ1, Q80P3, Q80PQ1 and Q90P3, Impulse Wrench - Exploded View



(Dwg. 16591976)

Q60P3, Q60PQ1, Q70P3, Q70PQ1, Q80P3, Q80PQ1 and Q90P3, Impulse Wrench - Parts List

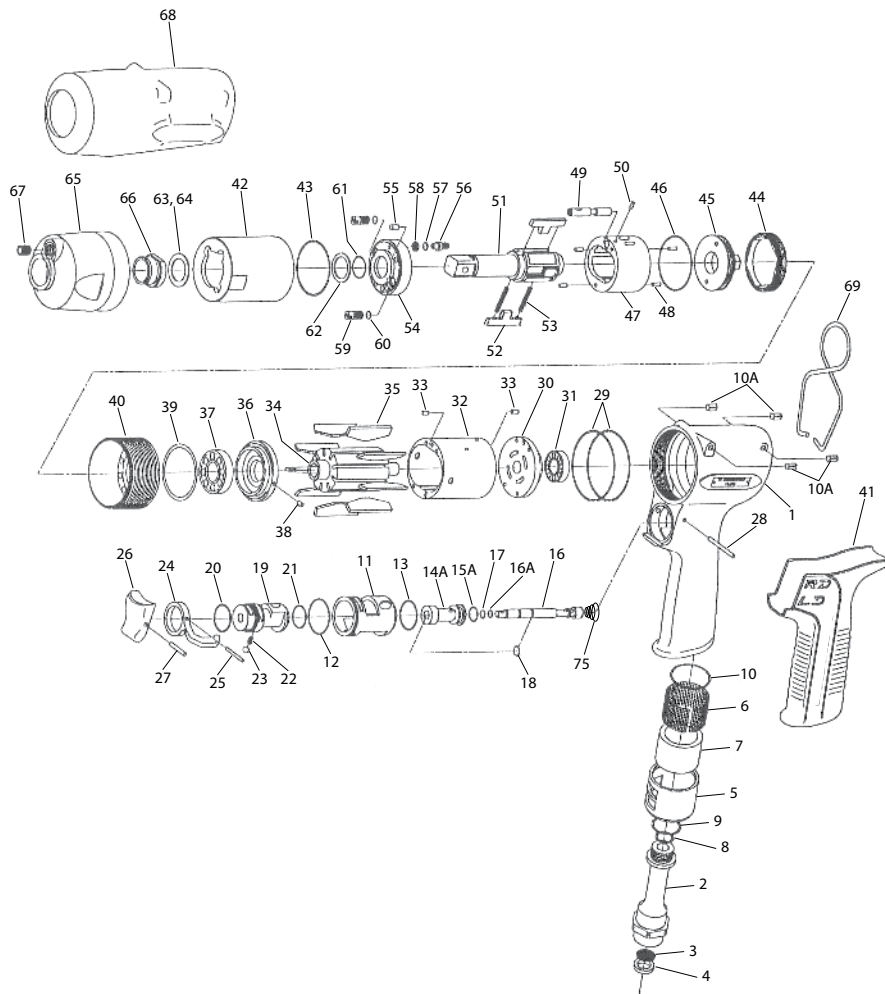
Item	Part Description	Part Number	Item	Part Description	Part Number
	Motor Case Assembly		27	Spring Pin	EQ106P-265
	for models Q60P3 and Q60PQ1	Y-0199-0011-0099	28	Pin	380PQ-298
	for models Q70P3 and Q70PQ1	Y-0189-0011-0099	29	O-Ring (2)	
	for models Q80P3 and Q80PQ1	Y-0191-0011-0099		for models Q60P3, Q60PQ1, Q70P3, Q70PQ1, Q80P3 and Q80PQ1	Y-9011-3004-0000
	for model Q90P3	Y-0188-0011-0099		for model Q90P3	EQ110P-236
1	Motor Case			Motor Assembly	
	Hose Joint Assembly			for models Q60P3 and Q60PQ1	Y-0199-0305-0099
	for models Q60P3 and Q60PQ1	Y-0199-0113-0099		for models Q70P3 and Q70PQ1	Y-0186-0305-0099
	for models Q70P3 and Q70PQ1	Y-0194-0113-0099		for models Q80P3 and Q80PQ1	Y-0191-0305-0099
	for models Q80P3, Q80PQ1 and Q90P3	Y-0195-0113-0099		for model Q90P3	Y-0188-0305-0099
2	Hose Joint	---		Upper Plate Assembly	
3	Strainer	70PS3-565		for models Q60P3, Q60PQ1, Q70P3, Q70PQ1, Q80P3 and Q80PQ1	Y-0186-0303-0099
4	Washer	70PS3-442		for model Q90P3	Y-0181-0303-0199
5	Exhaust Cover	80099013		Upper Plate	
6	Silencer Sheet	70P3-505		for models Q60P3, Q60PQ1, Q70P3, Q70PQ1, Q80P3 and Q80PQ1	Y-0186-0303-0000
7	Silencer Sheet	100P4-503		for model Q90P3	Y-0181-0303-0100
8	O-Ring	180PQ-288	30	Ball Bearing	Y-9102-3001-0000
9	O-Ring	55P3-303		Liner Assembly	
10	O-Ring	Y-9010-6043-0000		for models Q60P3 and Q60PQ1	Y-0199-0425-0099
10A	Spring Pin	N/A		for models Q70P3 and Q70PQ1	Y-0186-0425-0099
	Throttle Assembly			for models Q80P3 and Q80PQ1	Y-0191-0425-0099
	for models Q60P3 and Q60PQ1	Y-0181-0186-0299		for model Q90P3	Y-0181-0425-0099
	for models Q70P3, Q70PQ1, Q80P3, Q80PQ1 and Q90P3	Y-0181-0186-0199		Cylinder Assembly	
11	Throttle Bushing	Y-0181-0104-0000		for models Q60P3 and Q60PQ1	Y-0199-0304-0099
12	O-Ring	Y-9010-6030-0000		for models Q70P3 and Q70PQ1	Y-0186-0304-0099
13	O-Ring	55P3-303		for models Q80P3 and Q80PQ1	Y-0191-0304-0099
	Throttle Valve Assembly			for model Q90P3	Y-0181-0304-0199
	for models Q60P3 and Q60PQ1	Y-0181-0108-0199		Cylinder	---
	for models Q70P3, Q70PQ1, Q80P3, Q80PQ1 and Q90P3	Y-0181-0186-0199		Pin (2)	
14	Throttle Valve	---		for models Q60P3, Q60PQ1 and Q90P3	Y-8055-1040-0000
15	Rubber Pad	80098437		for models Q70P3, Q70PQ1, Q80P3 and Q80PQ1	Y-8673-2001-0000
	Throttle Rod Bushing Assembly	N/A		Rotor	
14A	Throttle Rod Bushing	N/A		for models Q60P3 and Q60PQ1	Y-0199-0305-0000
15A	O-Ring	N/A		for models Q70P3 and Q70PQ1	Y-0186-0305-0000
	Throttle Rod Assembly	N/A		for models Q80P3 and Q80PQ1	Y-0191-0305-0000
16	Throttle Rod	Y-0181-0106-0100		for model Q90P3	Y-0181-0305-0100
16A	O-Ring	N/A		Vane (9)	
17	O-Ring	Y-9010-6034-0000		for models Q60P3 and Q60PQ1	Y-0371-0306-0000
17A	Spring	Y-8020-1345-0000		for models Q70P3 and Q70PQ1	Y-0186-0306-0000
18	Snap Ring	N/A		for models Q80P3 and Q80PQ1	Y-0191-0306-0000
18A	Throttle Bushing Cap	80098452		for model Q90P3	Y-0181-0306-0000
18B	Ball	80098460		Lower Plate Assembly	
19	Reverse Valve			for models Q60P3, Q60PQ1, Q70P3, Q70PQ1, Q80P3 and Q80PQ1	Y-0186-0307-0099
	for models Q60P3 and Q60PQ1	Y-0181-0005-0100		for model Q90P3	Y-0188-0307-0099
	for models Q70P3, Q70PQ1, Q80P3, Q80PQ1 and Q90P3	Y-0181-0005-0000		Lower Plate	
20	O-Ring	Y-9010-6031-0000		for models Q60P3, Q60PQ1, Q70P3, Q70PQ1, Q80P3 and Q80PQ1	Y-0186-0307-0000
21	O-Ring	180SQ-289		for model Q90P3	Y-0188-0307-0000
22	Spring	100PQ-568		Ball Bearing	Y-9102-1003-0000
23	Ball	EQ104S-929			
24	Reverse Lever				
	for models Q60P3 and Q60PQ1	Y-2331-0007-0000			
	for models Q70P3, Q70PQ1, Q80P3, Q80PQ1 and Q90P3	45PS3-328			
25	Spring Pin	180SQ-152			
26	Throttle Knob	80098502			

Item	Part Description	Part Number	Item	Part Description	Part Number
38	Pin		50	Pin	Y-8051-1314-0000
	for models Q60P3, Q60PQ1, Q70P3, Q70PQ1, Q80P3 and Q80PQ1	Y-8673-2001-0000		Main Shaft Assembly	
	for model Q90P3	Y-8055-1040-0000		for model Q60P3	Y-0199-0614-0098
39	ST-Packing	Y-8011-1008-0000		for model Q70P3	Y-0189-0614-0099
40	Lower Plate Spacer			for model Q80P3	Y-0191-0614-0099
	for models Q60P3 and Q60PQ1	Y-0199-0311-0000	51	for model Q90P3	Y-0188-0614-0099
	for models Q70P3, Q70PQ1, Q80P3 and Q80PQ1	Y-0189-0311-0000		Main Shaft	
	for model Q90P3	Y-0188-0311-0000		for model Q60P3	Y-0199-0614-0098
		for model Q60PQ1		Y-0199-0614-0051	
41	Rubber Grip			for model Q70P3	Y-0189-0614-0101
	for models Q60P3 and Q60PQ1	Y-0188-0144-0000		for model Q70PQ1	Y-0189-0614-0051
	for models Q70P3, Q70PQ1, Q80P3, Q80PQ1 and Q90P3	Y-0194-0144-0188		for model Q80P3	Y-0191-0614-0201
				for model Q80PQ1	Y-0191-0614-0151
				for model Q90P3	Y-0188-0614-0101
	Liner Case Assembly		51A	Plunger A	
	for model Q60P3	Y-0199-0422-0095			for models Q60P3, Q70P3, Q80P3 and Q90P3
	for model Q60PQ1	Y-0199-0422-0098		for models Q60PQ1, Q70PQ1, Q80PQ1	N/A
	for model Q70P3	Y-0189-0422-0099	51B	Plunger B	
	for model Q70PQ1	Y-0189-0422-0098			for models Q60P3, Q70P3, Q80P3 and Q90P3
	for model Q80P3	Y-0191-0422-0099		for models Q60PQ1, Q70PQ1, Q80PQ1	N/A
	for model Q80PQ1	Y-0191-0422-0098	51C	Spring 1.4 X 9.5	
	for model Q90P3	Y-0188-0422-0099			for models Q60P3, Q70P3, Q80P3 and Q90P3
42	Liner Case			for models Q60PQ1, Q70PQ1, Q80PQ1	N/A
	for models Q60P3 and Q60PQ1	Y-0199-0422-0000	52	Blade (2)	
	for models Q70P3 and Q70PQ1	Y-0189-0422-0000			for models Q60P3 and Q60PQ1
	for models Q80P3 and Q80PQ1	Y-0191-0422-0000		for models Q70P3 and Q70PQ1	180PQ-A627
	for model Q90P3	Y-0188-0422-0000		for models Q80P3 and Q80PQ1	Y-0081-0719-0400
43	O-Ring			for model Q90P3	Y-0181-0719-0000
	for models Q60P3, Q60PQ1, Q70P3, Q70PQ1, Q80P3 and Q80PQ1	Y-9010-6036-0000	53	Spring (2)	
for model Q90P3	Y-9010-6042-0000			for models Q60P3 and Q60PQ1	180PQ-568
44	Liner Cap			for models Q70P3, Q70PQ1, Q80P3 and Q80PQ1	Y-8020-1349-0000
	for models Q60P3, Q60PQ1, Q70P3, Q70PQ1, Q80P3 and Q80PQ1	Y-0186-0423-0000		for model Q90P3	Y-8020-1346-0000
	for model Q90P3	Y-0181-0423-0000		Liner Lower Plate Assembly	
45	Liner Upper Plate			for models Q70P3, Q70PQ1, Q80P3 and Q80PQ1	Y-0189-0426-0099
	for models Q60P3, Q60PQ1, Q70P3, Q70PQ1, Q80P3 and Q80PQ1	Y-0186-0424-0000		for model Q90P3	Y-0188-0426-0099
	for model Q90P3	Y-0181-0424-0000	54	Liner Lower Plate	
				for models Q60P3 and Q60PQ1	Y-0199-0426-0002
				for models Q70P3, Q70PQ1, Q80P3 and Q80PQ1	Y-0189-0426-0000
				for model Q90P3	Y-0188-0426-0000
47	Liner	---	55	Pin	Y-0188-0308-0000
48	Pin FF (4)			56	Adjust Bolt
	for models Q60P3 and Q60PQ1				for models Q60P3 and Q60PQ1
	Pin 2X3.5 (2)	Y-8052-1028-0000		for models Q70P3, Q70PQ1, Q80P3, Q80PQ1 and Q90P3	Y-0188-0522-0000
	Pin 2X7.8 (2)	Y-8052-1029-0000	57	O-Ring	EQ1065-288
	for models Q70P3, Q70PQ1, Q80P3 and Q80PQ1	Y-8052-1041-0000	58	Back-up Ring	Y-9090-1028-0000
for model Q90P3	Y-8052-3004-0000	59	Oil Plug (2)	Y-0181-0010-0000	
49	Relief Valve		60	O-Ring (2)	EQ1065-288
	for models Q60P3 and Q60PQ1	Y-0199-0245-0100	61	O-Ring	180PQ-271
	for models Q70P3 and Q70PQ1	Y-0186-0245-0000	62	Back-up Ring	380PQ-272
	for models Q80P3 and Q80PQ1	Y-0191-0245-0000	63*	Washer	45PW3-229
	for model Q90P3	Y-0181-0245-0000	64*	Washer	180PQ-229

Item	Part Description	Part Number	Item	Part Description	Part Number
64A*	Washer	45P3-229	74	Retaining Ring	
	Hammer Case Assembly			for models Q60P3, Q70P3, Q80P3 and Q90P3	N/A
	for models Q60P3 and Q60PQ1	Y-0199-0401-0099		for models Q60PQ1, Q70PQ1 and Q80PQ1	EQ1045-933
	for models Q70P3 and Q70PQ1	Y-0189-0401-0099			
	for models Q80P3 and Q80PQ1	Y-0191-0401-0099	75	Hanger Clip	
	for model Q90P3	Y-0188-0401-0099		for models Q60P3 and Q60PQ1	Y-0190-1801-0000
65	Hammer Case			for models Q70P3, Q70PQ1, Q80P3, Q80PQ1 and Q90P3	N/A
	for models Q60P3 and Q60PQ1	Y-0199-0401-0000	76	Touch Joint	Y-9690-0002-0000
	for models Q70P3 and Q70PQ1	Y-0189-0401-0000	77	Pin FF (2 x 7.8) (2)	Y-8052-1029-0000
	for models Q80P3 and Q80PQ1	Y-0191-0401-0000	78	Liner Lower Plate (A)	Y-0371-0426-0001
	for model Q90P3	Y-0188-0401-0000	79	Spring (1.9 x 2.5)	Y-8020-1365-0000
66	Main Shaft Bushing		80	Ball (2mm)	Y-9150-1001-0000
	for models Q60P3, Q60PQ1, Q70P3, Q70PQ1, Q80P3 and Q80PQ1	Y-0189-0612-0000	+ #	Motor Tune Up Kit (includes 6, 7, 8, 9, 10, 12, 13, 15, 15A, 16A, 17, 17A, 18B, 20, 21, 22, 23, 29, 31, 35, 37, 39)	
	for model Q90P3	55P3-641		for models Q60P3 and Q60PQ1	Q60P-TK1
67	Socket Plug	502-95		for models Q70P3 and Q70PQ1	Q70P-TK1
68	Protector			for models Q80P3 and Q80PQ1	Q80P-TK1
	for models Q60P3, Q60PQ1, Q70P3 and Q70PQ1	Y-0189-0029-0000		for model Q90P3	Q90P-TK1
	for models Q80P3 and Q80PQ1	Y-0191-0029-0000	+ #	Mechanism Tune Up Kit (includes 43, 46, 53, 57, 58, 60, 61, 62)	
	for model Q90P3	Y-0188-0029-0000		for models Q60P3 and Q60PQ1	Q60P-TKMS1
69	Hanger			for models Q70P3, Q70PQ1, Q80P3, Q80PQ1 and Q90P3	Q70P-TKMS1
	for models Q60P3 and Q60PQ1	Y-0099-0017-0000	+	Hex. Wrench (H1.5x65x65)	55P3-900
	for models Q60P3, Q60PQ1, Q70P3, Q80P3 and Q90P3	N/A	+	Hex. Wrench (H5/32)	55P3-901
	for models Q60PQ1, Q70PQ1 and Q80PQ1	180PQ-A667	+	Warning Label	WARNING-27-99
70	Bit Chuck		+	Nameplate	
	for models Q60P3, Q70P3, Q80P3 and Q90P3	N/A		for model Q60P3 and Q60PQ1	Q60P-300
	for models Q60PQ1, Q70PQ1 and Q80PQ1	EQ1045-930		for model Q70P3	Q70P3-301
71	Ball			for model Q70PQ1	Q70PQ1-301
	for models Q60P3, Q70P3, Q80P3 and Q90P3	N/A		for model Q80P3	Q80P3-301
	for models Q60PQ1, Q70PQ1 and Q80PQ1	EQ1045-929		for model Q80PQ1	Q80PQ1-301
72	Spring			for model Q90P3	Q90P3-301
	for models Q60P3, Q70P3, Q80P3 and Q90P3	N/A	+	Information Label	
	for models Q60PQ1, Q70PQ1 and Q80PQ1	EQ1045-931		for model Q60P3	Q60P3-301
73	Spring Washer			for model Q60PQ1	Q60PQ1-301
	for models Q60P3, Q70P3, Q80P3 and Q90P3	N/A		for model Q70P3	Q70P3-99
	for models Q60PQ1, Q70PQ1 and Q80PQ1	EQ1045-932		for model Q70PQ1	Q70PQ1-99
				for model Q80P3	Q80P3-99
				for model Q80PQ1	Q80PQ1-99
				for model Q90P3	Q90P3-99
			+ #	Seal Tune Up Kit (includes 43, 46, 53, 57, 58, 60, 61, 62)	
				for model Q60 (includes item 79)	Y-0199-0991-0099
				for model Q70	Y-0189-0991-0099
				for model Q80	Y-0191-0991-0099
				for model Q90	Y-0188-0991-0099

* Item may not be used in some cases.
+ Indicates Not Illustrated.
Optional accessory, not provided with tool.

Q110P4 and Q120P4, Impulse Wrench - Exploded View



(Dwg. 16591984)

Q110P4 and Q120P4, Impulse Wrench - Parts List

Item	Part Description	Part Number	Item	Part Description	Part Number
	Motor Case Assembly		20	O-Ring	
	for model Q110P4	Y-0190-0011-0099		for model Q110P4	Y-9010-6039-0000
	for model Q120P4	Y-0345-0011-0099		for model Q120P4	Y-9010-6046-0000
1	Motor Case	---	21	O-Ring	
	Hose Joint Assembly			for model Q110P4	EQ106P-283
	for model Q110P4	Y-0197-0113-0099		for model Q120P4	55P3-303
	for model Q120P4	Y-0345-0113-0099	22	Spring	100PQ-568
2	Hose Joint	---	23	Ball	EQ104S-929
3	Strainer	70PS3-565	24	Reverse Lever	
4	Washer	70PS3-442		for model Q110P4	45PS3-328
	for model Q120P4			for model Q120P4	Y-0341-0007-0000
5	Exhaust Cover		25	Spring Pin	180SQ-152
	for model Q110P4	80099013	26	Throttle Knob	80098502
	for model Q120P4	130P4-978	27	Spring Pin	EQ106P-265
6	Silencer Sheet		27A	Conical Spring	
	for model Q110P4	70P3-505		for model Q110P4	N/A
	for model Q120P4	140P6-505		for model Q120P4	Y-8020-3070-0000
7	Silencer Sheet		28	Pin	
	for model Q110P4	Y-0187-0032-0004		for model Q110P4	380PQ-298
	for model Q120P4	130P4-506		for model Q120P4	Y-8055-1051-0000
8	O-Ring		29	O-Ring (2)	
	for model Q110P4	180PQ-288		for model Q110P4	EQ106S-36
	for model Q120P4	EQ106S-167		for model Q120P4	90P4-236
9	O-Ring	55P3-303		Motor Assembly	
10	O-Ring			for model Q110P4	Y-0187-0305-0099
	for model Q120P4	140P6-236		for model Q120P4	Y-0342-0305-0099
10A	Spring Pin (4)	Y-9250-2027-0000	30	Upper Plate Assembly	
	Throttle Assembly			for model Q110P4	Y-0187-0303-0099
	for model Q110P4	Y-0187-0186-0199		for model Q120P4	Y-0342-0303-0099
11	Throttle Bushing		31	Upper Plate	
	for model Q110P4	Y-0187-0104-0000		for model Q110P4	Y-0187-0303-0000
	for model Q120P4	Y-0341-0104-0000		for model Q120P4	Y-0342-0303-0000
12	O-Ring			Ball Bearing	
	for model Q110P4	Y-9010-6038-0000		for model Q110P4	55PS3-105
	for model Q120P4	Y-9010-6045-0000		for model Q120P4	Y-9102-1014-0000
13	O-Ring			Cylinder Assembly	
	for model Q110P4	Y-9010-4023-0000		for model Q110P4	Y-0187-0304-0099
	for model Q120P4	100PQ-236		for model Q120P4	Y-0342-0304-0099
	Throttle Rod Bushing Assembly		32	Cylinder	---
	for model Q110P4	Y-0187-0106-0000	33	Pin (2)	380SQ-298
	for model Q120P4	Y-0341-0105-0099		34	Rotor
14A	Throttle Rod Bushing	---		for model Q110P4	Y-0187-0305-0000
15A	O-Ring			for model Q120P4	Y-0342-0305-0000
	for model Q110P4	80098627	35	Vane (9)	
	for model Q120P4	Y-9010-1054-0000		for model Q110P4	Y-0187-0306-0000
	Throttle Rod Assembly		for model Q120P4	Y-0342-0306-0000	
	for model Q110P4	Y-0187-0106-0000		Lower Plate Assembly	
	for model Q120P4	Y-0341-0106-0199		for model Q110P4	Y-0187-0307-0099
for model Q120P4	Y-0341-0106-0199	for model Q120P4		Y-0342-0307-0099	
16	Throttle Rod	---	36	Lower Plate	
16A	O-Ring			for model Q110P4	Y-0187-0307-0000
	for model Q110P4	80099088		for model Q120P4	Y-0342-0307-0000
	for model Q120P4	Y-9010-6034-0000	37	Ball Bearing	
17	O-Ring			for model Q110P4	90PS4-22
	for model Q110P4	Y-9010-6034-0000		for model Q120P4	Y-9100-1044-0000
	for model Q120P4	Y-9010-1056-0000	38	Pin	Y-8055-1040-0000
17A	Spring	N/A	39	ST-Packing	
18	Snap Ring	EQ106P-303		for model Q110P4	Y-8011-1105-0000
19	Reverse Valve			for model Q120P4	Y-8011-1109-0000
	for model Q110P4	Y-0187-0005-0200			
	for model Q120P4	Y-0341-0005-0100			

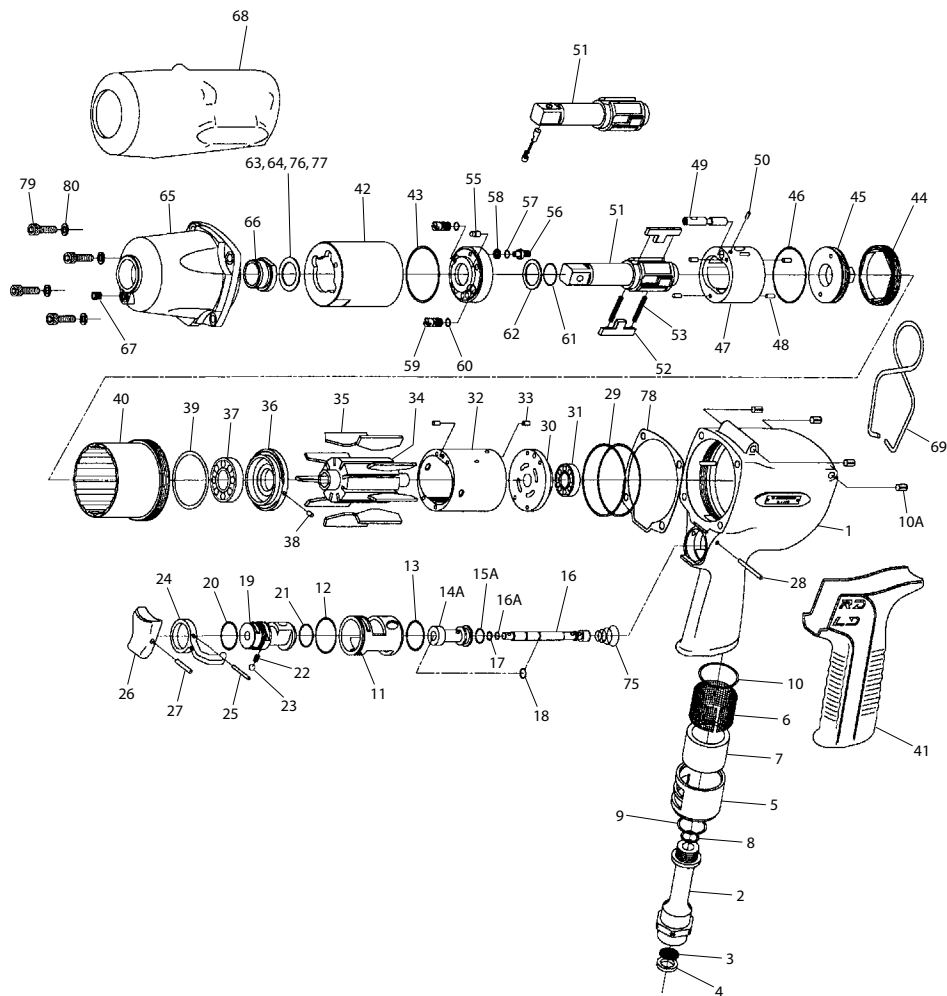
Item	Part Description	Part Number	Item	Part Description	Part Number
40	Lower Plate Spacer		54	Liner Lower Plate	
	for model Q110P4	Y-0190-0311-0000		for model Q110P4	Y-0190-0426-0000
	for model Q120P4	Y-0345-0311-0000		for model Q120P4	Y-0345-0426-0000
41	Rubber Grip	Y-0194-0144-0000	55	Dowel Pin	
	Liner Case Assembly		for model Q110P4	EQ2085-298	
	for model Q110P4	Y-0190-0422-0099	for model Q120P4	Y-0345-0308-0000	
	for model Q120P4	Y-0345-0422-0199			
42	Liner Case		56	Adjust Bolt	
	for model Q110P4	Y-0190-0422-0000	for model Q110P4	Y-0188-0522-0000	
	for model Q120P4	Y-0345-0422-0000	for model Q120P4	Y-0345-0522-0000	
43	O-Ring		57	O-Ring	
	for model Q110P4	Y-9010-6037-0000		for model Q110P4	EQ1065-288
	for model Q120P4	Y-9010-6058-0000		for model Q120P4	EQ110P-288
44	Liner Cap		58	Back-up Ring	
	for model Q110P4	Y-0187-0423-0000		for model Q110P4	Y-9090-1028-0000
	for model Q120P4	Y-0341-0423-0000		for model Q120P4	Y-9090-1032-0000
45	Liner Upper Plate		59	Oil Plug (2)	Y-0181-0010-0000
	for model Q110P4	Y-0187-0424-0000	60	O-Ring (2)	EQ1065-288
	for model Q120P4	Y-0342-0424-0000	61	O-Ring	Y-9010-1047-0000
46	O-Ring		62	Back-up Ring	Y-9090-1029-0000
	for model Q110P4	Y-9011-3004-0000	63*	Washer	90P54-80
	for model Q120P4	EQ1045-36	64*	Washer	90P54-79
	Liner Assembly		64A*	Washer	---
	for model Q110P4	Y-0187-0425-0199		Hammer Case Assembly	
	for model Q120P4	Y-0345-0425-0099		for model Q110P4	Y-0190-0401-0099
47	Liner	---		for model Q120P4	Y-0345-0401-0099
48	Pin FF (4)		65	Hammer Case	
	for model Q110P4	EQ2085-298		for model Q110P4	Y-0190-0401-0000
	for model Q120P4	Y-8052-1046-0000		for model Q120P4	Y-0345-0401-0000
49	Relief Valve		66	Main Shaft Bushing	Y-0190-0612-0000
	for model Q110P4	Y-0187-0245-0000	67	Socket Plug	EQ1065-377
	for model Q120P4	Y-0342-0245-0000	68	Protector	
50	Pin			for model Q110P4	Y-0190-0029-0000
	for model Q110P4	Y-8051-1035-0000		for model Q120P4	Y-0345-0029-0000
	for model Q120P4	100PQ-298	69	Hanger	Y-0188-0017-0000
	Main Shaft Assembly		+	Hex. Wrench (H1.5x65x65)	55P3-900
	for model Q110P4	Y-0190-0614-0099	+	Hex. Wrench (H5/32)	55P3-901
	for model Q120P4	Y-0345-0614-0099	+	Warning Label	WARNING-27-99
51	Main Shaft		+	Nameplate	
	for model Q110P4	Y-0190-0614-0101		for model Q110P4	Q110P4-301
	for model Q120P4	Y-0345-0614-0101		for model Q120P4	Q120P4-301
51A	Plunger A		+	Information Label	
	for model Q110P4	Y-0237-0308-0000		for model Q110P4	Q110P4-99
	for model Q120P4	---		for model Q120P4	Q120P4-99
51B	Plunger B		+	Motor Tune Up Kit (includes 6, 7, 8, 9, 10, 12, 13, 15, 15A, 16A, 17, 17A, 18B, 20, 21, 22, 23, 29, 31, 35, 37, 39)	
	for model Q110P4	Y-0237-0018-0000		for model Q110P4	Q110P-TK1
	for model Q120P4	---		for model Q120P4	Q120P-TK1
51C	Spring 2.2 x 13"		+	Mechanism Tune Up Kit (includes 43, 46, 53, 57, 58, 60, 61, 62)	
	for model Q110P4	Y-8020-1275-0000		for model Q110P4	Q70P-TKMS1
	for model Q120P4	---		for model Q120P4	Q140P-TKMS1
52	Blade (2)		+	Seal Tune Up Kit (includes 43, 46, 53, 57, 58, 60, 61, 62)	
	for model Q110P4	Y-0187-0719-0000		for model Q110	Y-0190-0991-0099
	for model Q120P4	Y-0342-0719-0000		for model Q120	Y-0345-0991-0099
53	Spring (2)				
	for model Q110P4	Y-8020-1350-0000			
	for model Q120P4	Y-8020-1354-0000			
	Liner Lower Plate Assembly				
	for model Q110P4	Y-0190-0426-0099			
	for model Q120P4	Y-0345-0426-0099			

* Item may not be used in some cases.

+ Indicates Not Illustrated.

Optional accessory, not provided with tool.

Q140P4, Impulse Wrench - Exploded View



Q140P4, Impulse Wrench - Parts List

Item	Part Description	Part Number	Item	Part Description	Part Number
	Motor Case Assembly	Y-0346-0011-0099		Liner Case Assembly	Y-0346-0422-0199
1	Motor Case	----	42	Liner Case	Y-0346-0422-0000
	Hose Joint Assembly	Y-0345-0113-0099	43	O-Ring	Y-9010-6058-0000
2	Hose Joint	----	44	Liner Cap	Y-0341-0423-0000
3	Strainer	70PS3-565	45	Liner Upper Plate	Y-0341-0424-0000
4	Washer	70PS3-442	46	O-Ring	EQ1045-36
5	Exhaust Cover	130P4-978		Liner Assembly	Y-0341-0425-0099
6	Silencer Sheet	140P6-505	47	Liner	----
7	Silencer Sheet	Y-0346-0032-0004	48	Pin FF (4)	Y-8052-1046-0000
8	O-Ring	EQ1065-167	49	Relief Valve	Y-0341-0245-0000
9	O-Ring	55P3-303	50	Pin FF	100PQ-298
10	O-Ring	140P6-236		Main Shaft Assembly	Y-0346-0614-0098
10A	Spring Pin (4)	Y-9250-2027-0000	51	Main Shaft	Y-0346-0614-0101
	Throttle Assembly	Y-0341-0186-0299	52	Blade (2)	Y-0341-0719-0000
11	Throttle Bushing	Y-0341-0104-0000	53	Spring (2)	Y-8020-1354-0000
12	O-Ring	Y-9010-6045-0000		Liner Lower Plate Assembly	Y-0345-0426-0099
13	O-Ring	100PQ-236	54	Liner Lower Plate	Y-0345-0426-0000
	Throttle Rod Bushing Assembly	Y-0341-0105-0099	55	Dowel Pin	Y-0345-0308-0000
14A	Throttle Rod Bushing	----	56	Adjust Bolt	Y-0345-0522-0000
15A	O-Ring	Y-9010-1054-0000	57	O-Ring	EQ110P-288
	Throttle Rod Assembly	Y-0341-0106-0199	58	Back-up Ring	Y-9090-1032-0000
16	Throttle Rod	----	59	Oil Plug (2)	Y-0181-0010-0000
16A	O-Ring	Y-9010-6034-0000	60	O-Ring (2)	EQ1065-288
17	O-Ring	Y-9010-1056-0000	61	O-Ring	Y-9010-1047-0000
18	Snap Ring	EQ106P-303	62	Back-up Ring	Y-9090-1029-0000
19	Reverse Valve	Y-0341-0005-0100	63	Washer	Y-8041-5060-0000
20	O-Ring	Y-9010-6046-0000	64	Washer	90PS4-80
21	O-Ring	55P3-303	76	Washer	Y-8041-5061-0000
22	Spring	100PQ-568	77	Washer	90PS4-79
23	Ball	EQ1045-929		Hammer Case Assembly	Y-0346-0401-0099
24	Reverse Lever	Y-0341-0007-0000	65	Hammer Case	Y-0346-0401-0000
25	Spring Pin	180SQ-152	66	Main Shaft Bushing	Y-0190-0612-0000
26	Throttle Knob	80098502	67	Socket Plug	Y-8210-4001-0000
27	Spring Pin	EQ106P-265	78	S-Packing	Y-0346-0003-0000
75	Conical Spring	Y-8020-3070-0000	79	Hexagon Socket Bolt (4)	Y-8070-3050-0000
28	Pin	Y-8055-1051-0000	80	Spring Washer (4)	900P-58
29	O-Ring (2)	1900P-238	68	Protector	Y-0346-0029-0000
	Motor Assembly	Y-0341-0305-0099	69	Hanger	Y-0188-0017-0000
	Upper Plate Assembly	Y-0341-0303-0099	+	Hex. Wrench (H1.5x65x65)	55P3-900
30	Upper Plate	Y-0341-0303-0000	+	Hex. Wrench (H5/32)	55P3-901
31	Ball Bearing	Y-9102-1014-0000	+	Warning Label	WARNING-27-99
	Cylinder Assembly	Y-0341-0304-0099	+	Nameplate	Q140P4-301
32	Cylinder	----	+	Information Label	Q140P4-99
33	Pin (2)	380SQ-298	+#	Motor Tune Up Kit(includes 6, 7, 8, 9, 10, 12, 13, 15, 15A, 16A, 17, 17A, 18B, 20, 21, 22, 23, 29, 31, 35, 37, 39)	Q140P-TK1
34	Rotor	Y-0341-0305-0000	+#	Mechanism Tune Up Kit (includes 43, 46, 53, 57, 58, 60, 61, 62)	Q140P-TKMS1
35	Vane (9)	Y-0341-0306-0000	+#	Seal Tune Up Kit (includes 43, 46, 53, 57, 58, 60, 61, & 62)	Y-0346-0991-0099
	Lower Plate Assembly	Y-0341-0307-0000			
36	Lower Plate	Y-0341-0307-0000			
37	Ball Bearing	Y-9100-1065-0000			
38	Pin	Y-8055-1040-0000			
39	ST-Packing	Y-8011-1108-0000			
40	Lower Plate Spacer	Y-0346-0311-0000			
41	Rubber Grip	Y-0194-0144-0000			

+ Indicates Not Illustrated.

Optional accessory, not provided with tool.

Parts and Maintenance

When tool life has expired, it is recommended that the tool be disassembled, degreased and parts separated by material for proper recycling.

Tool repair and maintenance should only be carried out by an authorized Service Center.

Refer all communications to the nearest **Ingersoll Rand** office or distributor.**Related Documentation**Manuals can be downloaded from ingersollrandproducts.com.

For additional information, refer to:

Product Safety Information Manual 04584983.

Product Information Manual 80206667.

Product Maintenance Information Manual 80213671.

Notes:

ingersollrandproducts.com

© 2015 *Ingersoll Rand*

