



TL-QC2P-PLM
Edition 2
September 2024

Cordless Screwdriver

QC Clutch Pistol Tool Series

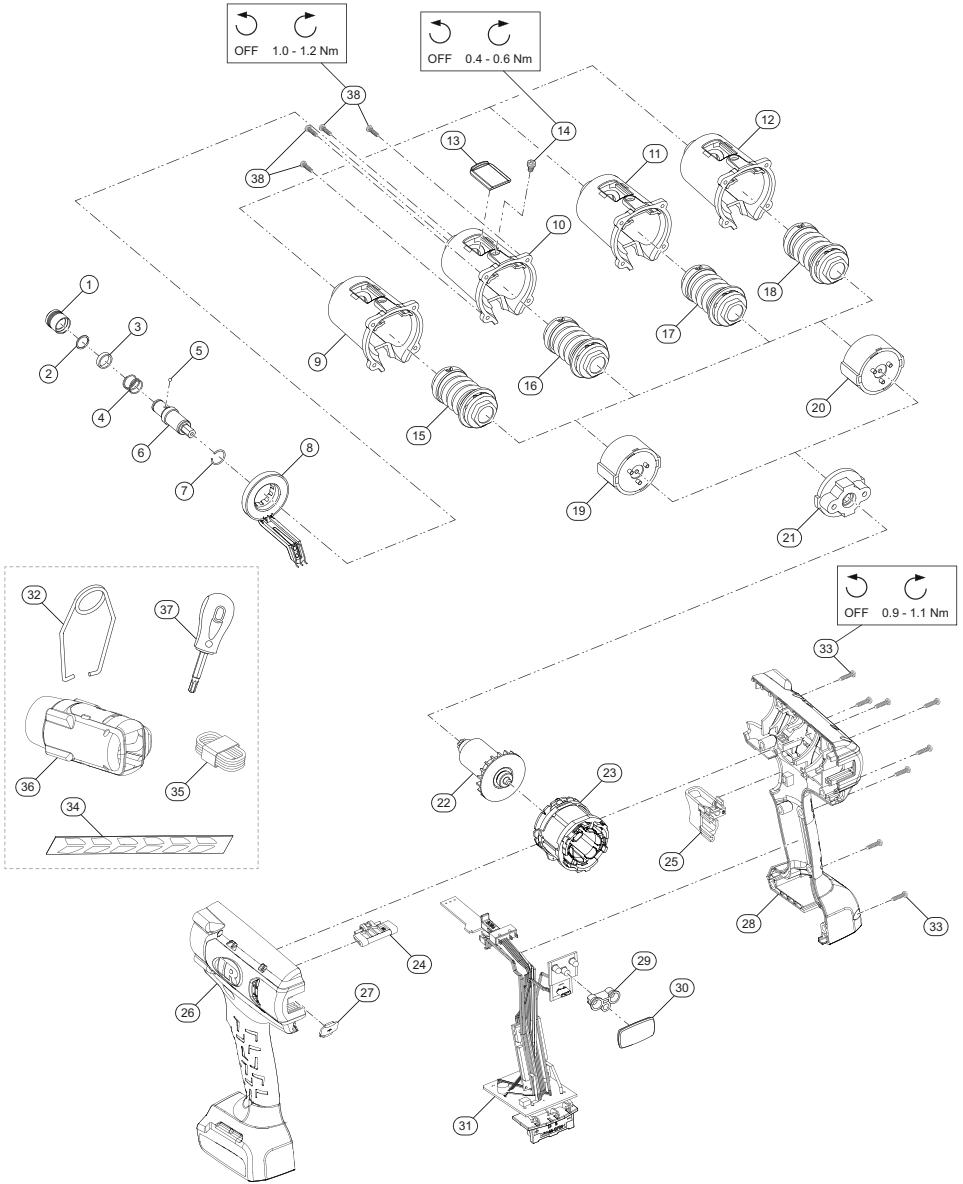
Parts Information



Save These Instructions



QC Clutch Pistol Tool Series, Cordless Screwdriver - Exploded View



(Dwg. TL-QC2P-PLM-1)

QC Clutch Pistol Tool Series, Cordless Screwdriver - Parts List

Item	Part Description	Part Number (CCN)
*	QC Assembly Kit	TK-QC2P-Q4
1	Collar, Quick Change	---
2	Retaining Ring	---
3	Spacer, Quick Change	---
4	Spring	---
5	Ball	---
6	Spindle	---
7	Rear Retainer Ring	---
*	LED Kit	TK-QC2P-ALED
8	Ring LED Assembly	---
*	Front Housing Kit for QCP2P02Q4 and QCN2P02Q4	TK-QC2P-727A
9	Front Housing Assembly	---
13	Clutch Cover	---
14	Clutch Cover Screw (1 required)	---
38	Front Housing Screw (4 required)	---
*	Front Housing Kit for QCP2P04Q4 and QCN2P04Q4	TK-QC2P-727B
10	Front Housing Assembly	---
13	Clutch Cover	---
14	Clutch Cover Screw (1 required)	---
38	Front Housing Screw (4 required)	---
*	Front Housing Kit for QCP2P08Q4 and QCN2P08Q4	TK-QC2P-727C
11	Front Housing Assembly	---
13	Clutch Cover	---
14	Clutch Cover Screw (1 required)	---
38	Front Housing Screw (4 required)	---
*	Front Housing Kit for QCP2P12Q4 and QCN2P12Q4	TK-QC2P-727D
12	Front Housing Assembly	---
13	Clutch Cover	---
14	Clutch Cover Screw (1 required)	---
38	Front Housing Screw (4 required)	---
*	Clutch Mechanism Kit	
15	For QCP2P02Q4 and QCN2P02Q4	TK-QC2P-581A
16	For QCP2P04Q4 and QCN2P04Q4	TK-QC2P-581B
17	For QCP2P08Q4 and QCN2P08Q4	TK-QC2P-581C
18	For QCP2P12Q4 and QCN2P12Q4	TK-QC2P-581D
*	Gearbox Assembly Kit for QCP2P02Q4, QCN2P02Q4, QCP2P04Q4, and QCN2P04Q4	TK-QC2P-750A
19	Gearbox Assembly	---
21	Front Plate	---
*	Gearbox Assembly Kit for QCP2P08Q4, QCN2P08Q4, QCP2P12Q4, and QCN2P12Q4	TK-QC2P-750B
20	Gearbox Assembly	---
21	Front Plate	---
*	Motor Assembly	TK-QC2P-054
22	Motor Rotor	---
23	Motor Stator	---
*	Switch Kit	TK-QC2P-250
24	Directional Switch	---
25	Trigger	---

Item	Part Description	Part Number (CCN)
*	Housing Kit	TK-QC2P-040
26	Left Housing	---
27	USB Cover	---
28	Right Housing	---
29	LED Pipe	---
30	LED Backcap	---
33	Housing Screw (10 required)	---
31	PCBA Kit	---
*	PCBA Assembly for QCP2P02Q4	TK-QC2P-499-P02
	PCBA Assembly for QCN2P02Q4	TK-QC2P-499-N02
	PCBA Assembly for QCP2P04Q4	TK-QC2P-499-P04
	PCBA Assembly for QCN2P04Q4	TK-QC2P-499-N04
	PCBA Assembly for QCP2P08Q4	TK-QC2P-499-P08
	PCBA Assembly for QCN2P08Q4	TK-QC2P-499-N08
	PCBA Assembly for QCP2P12Q4	TK-QC2P-499-P12
*	PCBA Assembly for QCN2P12Q4	TK-QC2P-499-N12
*	Suspension Bail Kit	VP1-365
32	Suspension Bail	---
*	Tool Label Kit	TK-QC2-300
34	Tool Foot Label	---
*	USB Kit	TK-QC2-USB
35	USB Cable	---
36	Boot	---
*	Boot, Red	TK-QC2P-BOOT-RD
	Boot, Green	TK-QC2P-BOOT-GR
	Boot, Blue	TK-QC2P-BOOT-BL
	Boot, White	TK-QC2P-BOOT-WT
*	Clutch Screwdriver Kit	TK-QC2P-306
37	Clutch Screwdriver	---
*	Fastener Kit	TK-QC2P-105
14	Clutch Cover Screw (1 required)	---
33	Housing Screw (10 required)	---
38	Front Housing Screw (4 required)	---
*	20V Li-ion Battery Pack	---
	2.5Ah	BL2012 (47515903001)
	5.0Ah	BL2022 (47515902001)
*	Battery Charger	---
	Battery Charger, Single Bay	BC1121 (47507879001)
	Battery Charger, Dual Bay	BC1221

* Indicates not illustrated.

Parts and Maintenance

When tool life has expired, it is recommended that the tool be disassembled, degreased and parts separated by material for proper recycling.

Tool repair and maintenance should only be carried out by an Authorized Service Center.

Refer all communications to the nearest **Ingersoll Rand** office or distributor.

Related Documentation

Manuals can be downloaded from ingersollrand.com

For additional information, refer to:

Product Safety Information Manual 47114541

Product Information Manual TL-QC2-PIM

Parts Information Manual of QC Clutch Angle Tool Series TL-QC2A-PLM

CE-Declaration of Conformity TL-QC2-DOC

UK-Declaration of Conformity TL-QC2-DOC-UK

Notes:

Notes:

Notes:

[ingersollrand.com](https://www.ingersollrand.com)

© 2024 *Ingersoll Rand*

