



47649556

Edition 7

April 2024

Cordless Tool Controller

INSIGHTqcx Series

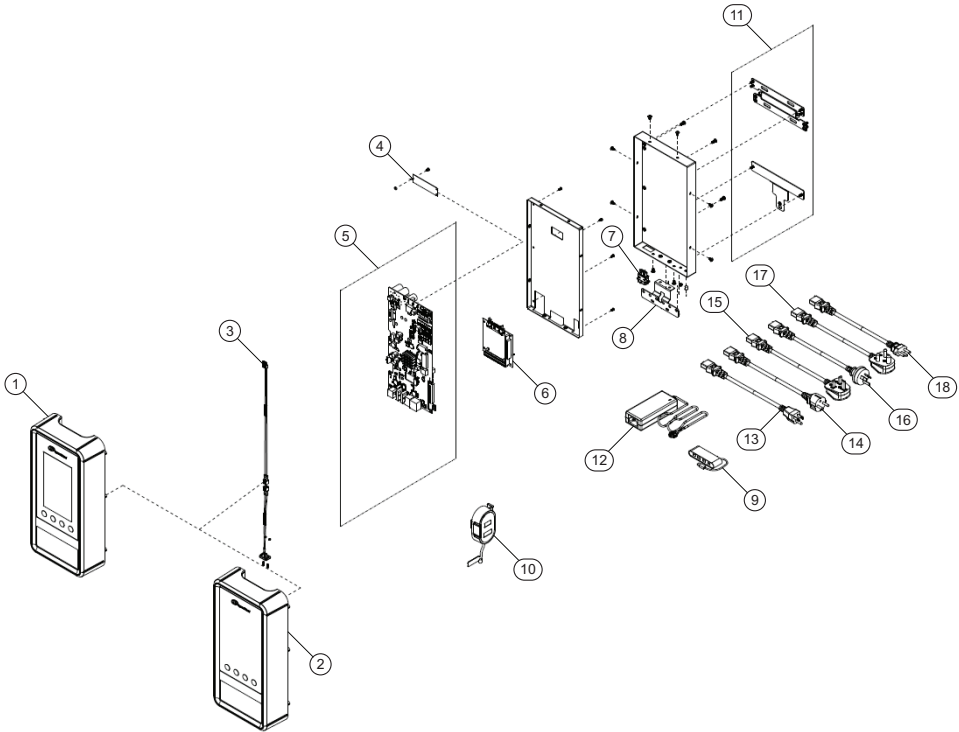
Parts Information



Save These Instructions



INSIGHTqcx, Cordless Tool Controller with integrated DIO - Exploded View



(Dwg. 47649556-1)

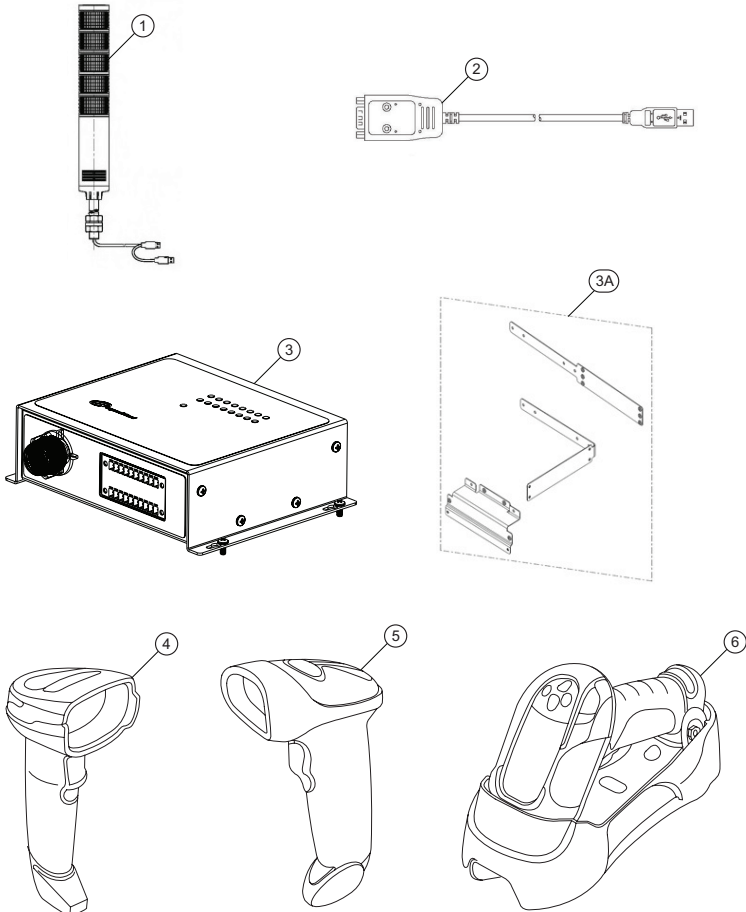
INSIGHTqcx, Cordless Tool Controller with integrated DIO - Parts List

Item	Part Description	Part Number
-	Plastic Housing Assembly	
1	Plastic Housing Assembly Kit - D Type (Display)	QCX2-A830D-K
2	Plastic Housing Assembly Kit - M Type (Non-display)	QCX2-A830M-K
*	Label Kit, Processing Module	QCX2-301-K
*	Brand Label	---
*	Model Serial Number Label (white)	---
*	Port Input Label	---
3	Power Cable, 24V	QCX-CABLE-24V-K2
4	SSD Assembly Kit with Standard License	QCX2-SSD-S-K
	M.2 SSD Card	---
	Screw, M3 x 5mm, Pan Head	---
	Spacer, Unthreaded, 2.4mm High, 3mm I.D.	---
5	Single Board Computer Kit (SBC)	QCX2-499-SBC-K
	Single Board Computer Board	---
*	EMI Shielding, Foam	---
6	DIO Connector Board	QCX2-499-DIOBH
7	Power Switch	QCX-410-K2
8	Cable Retention Bracket	QCX-366-C-K2
9	USB Hub 4-Port Portable USB 2.0 with Built-in Cable	QCX-USB-HUB

Item	Part Description	Part Number
10	QCX External Radio	TA-VD1T-888-2C
*	Mounting Bracket	QCX-366-K2
11	Bracket, Mounting Kit	QC-A365-K2
	Bracket	---
	Bracket Wall Mount	---
	Screw, M4 X 10, Pan Head	---
12	Power Supply, 24V	QCX-A24V-PS-K2
13	Cord, US, Canada, and Mexico	QCX-CORD-US-K2
14	Cord, EU	QCX-CORD-EU-K2
15	Cord, UK	QCX-CORD-UK-K2
16	Cord, China	QCX-CORD-CN-K2
17	Cord, India	QCX-CORD-IN-K2
18	Cord, Brazil	QCX-CORD-BR-K2

* Indicates not illustrated.

INSIGHT_{qc}, Cordless Tool Controller Accessories (Optional) - Drawing



(Dwg. 47649556-2)

47649556_ed7

INSIGHTqcx, Cordless Tool Controller Accessories (Optional) - Parts List

Item	Part Description	Part Number (CCN)
1	USB Tower Light	QC-TL-4 (47601629)
2	Serial Interface Adapter	QC-ADPT-1 (47601630)
3	Digital IO Box, 8 Channel (includes 3A)	QC-DIO-8CH (47617332)
3A	DIO Box Mounting Bracket Kit	QC-DIO-366-K (47628739)
4	Bar Code Scanner (1D and 2D)	QC-BC-SCAN-1 (47625754)
5	Bar Code Scanner (1D)	QC-BC-SCAN-2 (47625755)
6	Bar Code Scanner, Wireless (1D)	QC-BC-SCAN-WL (47625756)

Parts and Maintenance

When tool life has expired, it is recommended that the tool be disassembled, degreased and parts separated by material for proper recycling.

Tool repair and maintenance should only be carried out by an Authorized Service Center.

Refer all communications to the nearest **Ingersoll Rand** office or distributor.

Related Documentation

Manuals can be downloaded from ingersollrand.com

For additional information, refer to:

Product Safety Information Manual 24074205

Product Information Manual 47649557

Notes:

Notes:

Notes:

[ingersollrand.com](https://www.ingersollrand.com)

© 2024 *Ingersoll Rand*

