



04580973
Edition 5
September 2009

DC Electric Tools, Angle and In-Line

QE8 Series High Torque

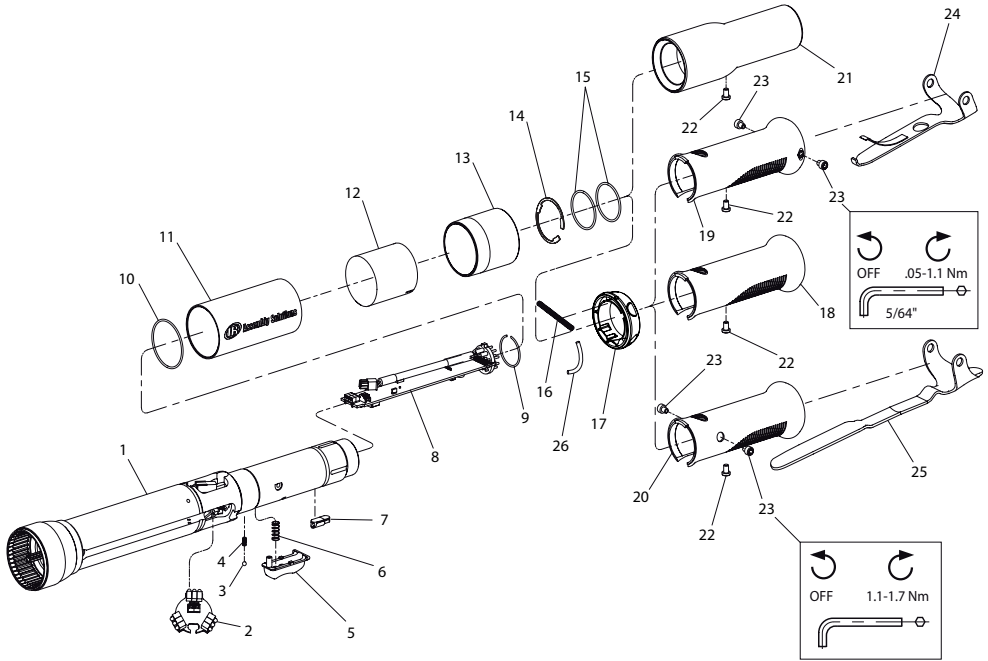
Parts Information



Save These Instructions

 **Ingersoll Rand**

QE8 High Torque Motor Housing Assembly, Grips and Levers - Exploded View



(Dwg. TP2155)

QE8 High Torque Motor Housing Assembly, Grips and Levers - Parts List

Item	Part Description	Part Number	Item	Part Description	Part Number
1	Motor Housing Assembly		9	Retainer	GEA40-2309-104
	FOR MODELS:		10	O-Ring	GEA40-136-211
	QE8Z{ }{ }{ }{ }	GEA120-D53-491	11	Housing Cover	GEA120-136
	QE8Z{ }{ }{ }{ }	GEA120-D53-491	12	Warning Label	GEA40-99
	FOR MODELS:		13	Label-Cover Lens	GEA40-600
	QE8A{ }{ }{ }{ }	GEA240-D53-491	14	Retaining Ring	GEA40-208
	QE8S{ }{ }{ }{ }	GEA240-D53-491	15	O-Ring	GEA40-801
	QE8Z{ }{ }{ }{ }	GEA240-D53-491	16	Spring	GEA40-329-52-1**
	FOR MODELS:		17	Reverse Ring	GEA40-329-1**
	QE8A{ }{ }{ }{ }	GEF400-D53-491	18	Handle Grip	GEA40-135
	QE8S{ }{ }{ }{ }	GEF400-D53-491	19	Handle Grip	GEA40-135SL
2	LED Board	GEA40-98	20	Handle Grip	GEA40-135EL
3	Ball	AV1-255	21	Sleeve	GEA40-137
4	Spring	GEA40-329-51	22	Socket Cap Screw (Low Head)	GEA40-135-68
5	Trigger	GEA40-273	23	Socket Head Cap Screw	GEA40-273EL-68
† 7	Memory chip	TRP-A528	24	Lever, Short	GEA40-273SL
8	Communication Board	GEA40-A499*	25	Lever, Extended	GEA40-273EL
			26	Guide Pin	GEA40-329-53

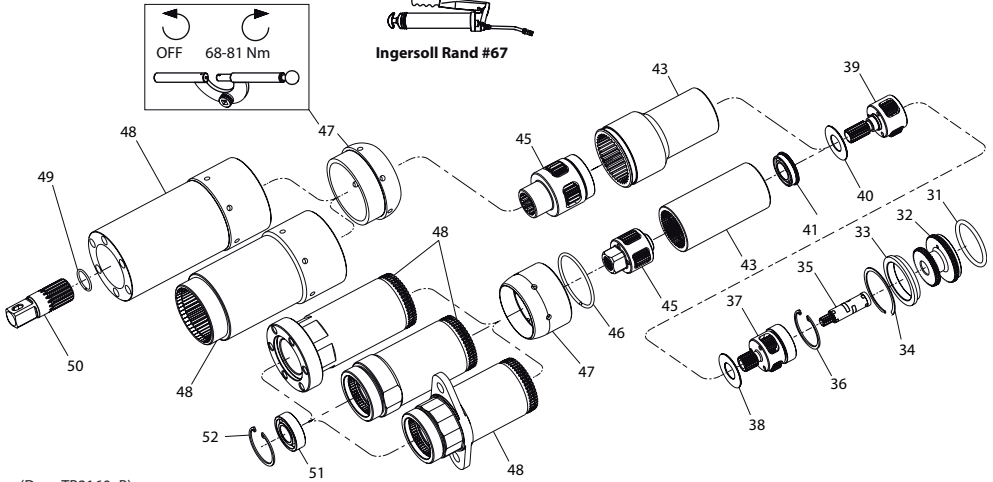
Also Includes GEF400-491-104

* If tool serial number is before A07K, also order new GEA40-273.

** If tool serial number is before A07F, order kit GEA40-K329 instead.

† Optional Part. Order O-Rings GEA40-801 with memory chip.

QE8 High Torque Gearing Components - Exploded View



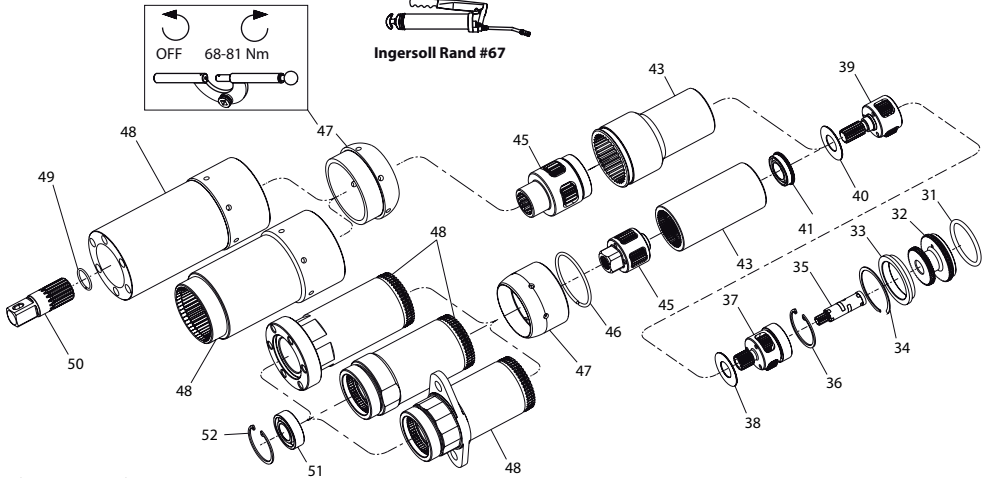
(Dwg. TP2160_B)

QE8 High Torque Gearing Components - Parts List

Item	Part Description	ANGLE IN LINE			QE8A{ }225{ }
		OFFSET	QE8Z{ }070{ }	QE8Z{ }090{ }	QE8Z{ }150{ }
31	O-ring (I.D. 1.563 X 0.139)	---	---	---	---
32	Transducer Assembly	GEA120-A756-90	GEA120-A756-90	GEA240-A756-160	GEA240-A756-160
33	Spacer	DEA120-945	DEA120-945	GEA240-945	GEA240-945
*	Gear Case Assembly	GEP120-M37	GEP150-M37	GEP240-M37	GEA240-M37
34	Retainer	DEA120-29	DEA120-29	GEA240-208	GEA240-208
35	Pinion Coupler Assembly	DEA120-17	DEA120-17	DEA120-17	DEA120-17
36	Retaining Ring	W64-118	W64-118	W64-118	W64-118
37	Spindle Assembly (1st Stage)	DEA120-A216	DEA150-A216	DEA55-A216	DEA55-A216
	Spindle	---	---	---	---
	Planet Pin	---	---	---	---
	Planet Bearing	---	---	---	---
	Planet Gear (1st)	---	---	---	---
	Bearing	---	---	---	---
38	Spacer	---	---	GEA240-80	GEA240-80
39	Spindle Assembly (2nd Stage)	DEA120-A8	DEA150-A8	GEA240-A216	GEA240-A216
	Spindle	---	---	---	---
	Planet Pin	---	---	---	---
	Planet Bearing	---	---	---	---
	Planet Gear (2nd)	---	---	---	---
40	Spacer	---	---	GEA240-80	GEA240-80
41	Bearing	---	---	GEA240-606	GEA240-606
43	Ring Gear	DEA120-406	DEA200-406	GEA240-406	GEA240-406
45	Spindle Assembly (3rd Stage)	---	---	GEA240-A8	GEA240-A8
	Spindle	---	---	---	---
	Planet Pin	---	---	---	---
	Needle Rollers	---	---	---	---
	Spacer	---	---	---	---
	Planet Gear (3rd)	---	---	---	---
46	Retainer	DEF120-29	DEF120-29	GEF240-29	GEF240-29
47	Coupling Nut	GEF120-43	GEF120-43	GEA240-43	GEA240-43
48	Gear Case	GEP120-B37	GEP120-B37	GEP240-B37	GEA240-B37
49	Retaining Ring	---	---	---	---
50	Spindle	---	---	---	---
51	Bearing	R38P-606	R38P-606	---	---
52	Retaining Ring	W64-118	W64-118	---	---
	REFER ALSO TO THESE MANUALS	04581039	04581039	04581039	---

* Not Illustrated

QE8 High Torque Gearing Components - Exploded View



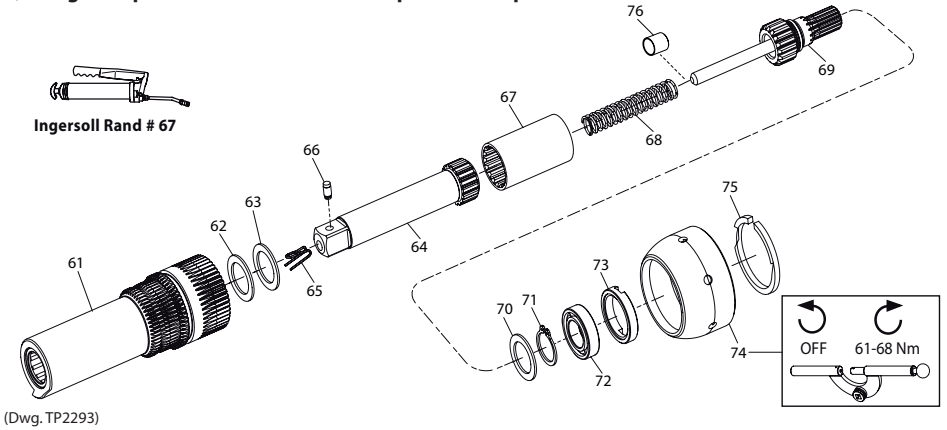
(Dwg. TP2160_B)

QE8 High Torque Gearing Components - Parts List

Item	Part Description	ANGLE	QE8A{ }225F{ }	---	QE8A{ }400F{ }
		IN LINE	QE8S{ }150F{ }	QE8S{ }230F{ }	---
		OFFSET	---	---	---
			Part Number	Part Number	Part Number
31	O-ring (I.D. 1.563 X 0.139)		---	GEF400-491-104	GEF400-491-104
32	Transducer Assembly		GEA240-A756-160	GEF400-A756-230	GEF400-A756-230
33	Spacer		GEA240-945	---	---
*	Gear Case Assembly		GEF240-M37	GEP400-M37	GEF400-M37
34	Retainer		GEA240-208	---	---
35	Pinion Coupler Assembly		DEA120-17	GEF400-17	GEF400-17
36	Retaining Ring		W64-118	W64-118	W64-118
37	Spindle Assembly (1st Stage)		DEA55-A216	DEA90-A216	DEA90-A216
	Spindle		---	---	---
	Planet Pin		---	---	---
	Planet Bearing		---	---	---
	Planet Gear (1st)		---	---	---
	Bearing		---	---	---
38	Spacer		GEA240-80	GEF400-80	GEF400-80
39	Spindle Assembly (2nd Stage)		GEA240-A216	GEF400-A216	GEF400-A216
	Spindle		---	---	---
	Planet Pin		---	---	---
	Planet Bearing		---	---	---
	Planet Gear (2nd)		---	---	---
40	Spacer		GEA240-80	GEF400-80	GEF400-80
41	Bearing		GEA240-606	---	---
43	Ring Gear		GEA240-406	GEF400-406	GEF400-406
45	Spindle Assembly (3rd Stage)		GEA240-A8	GEF400-A8	GEF400-A8
	Spindle		---	---	---
	Planet Pin		---	---	---
	Needle Rollers		---	---	---
	Spacer		---	---	---
	Planet Gear (3rd)		---	---	---
46	Retainer		GEF240-29	---	---
47	Coupling Nut		GEA240-43	GEF400-43	GEF400-43
48	Gear Case		GEF240-B37	GEP400-B37	GEF400-B37
49	Retaining Ring		---	GEF400-29	---
50	Spindle		---	GEF400-584	---
51	Bearing		---	---	---
52	Retaining Ring		---	---	---

* Not Illustrated

QE8 High Torque In-Line Attachment Components - Exploded View

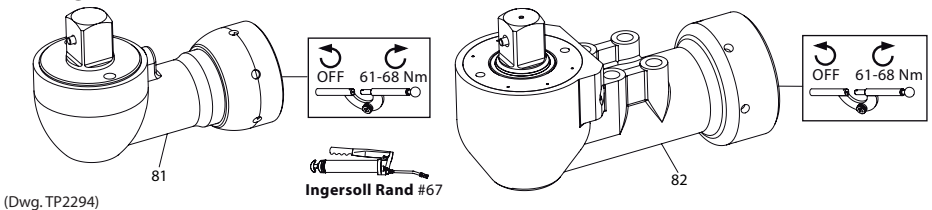


QE8 High Torque In-Line Attachment Components - Parts List

Item	Part Description	Part Number	Item	Part Description	Part Number
In-Line Spindle Assemblies					
	QE8S{ }150{ }41S08 (1/2" Sq. Drive & 4" Long Shank)	160E458	67	Coupler	
	QE8S{ }150{ }61S08 (1/2" Sq. Drive & 6" Long Shank)	160E658		for 41S08	120E4-581
	QE8S{ }150{ }81S08 (1/2" Sq. Drive & 8" Long Shank)	160E858		for 61S08, and 81S08	120E6-581
61	Housing Assembly		68	Disengaging Spring	
	for 41S08	160E4-A580		for 41S08	120E4-626
	for 61S08	160E6-A580		for 61S08, and 81S08	120E6-626
	for 81S08	160E8-A580	69	Drive Spindle Assembly	160E4-A584
62	Washer	120E4-105	70	Washer	120E4-106
63	Washer	120E4-106	71	Retaining Ring	FEA100-20
64	Square Drive Spindle		72	Rear Spindle Bearing	GEA240-593
	for 41S08	120E458-586	73	Bearing Cap	8SA32-531
	for 61S08	120E658-586	74	Coupling Nut	GEA240-27
	for 81S08	120E858-586	75	Retainer	160E4-29
65	Socket Retainer Spring	5UHD-718	76	Spindle Lock	
66	Socket Retaining Pin	804-716		for 41S08	120E4-LOCK
				for 61S08 and 81S08	120E6-LOCK

For Model	Refer to these Manuals
QE8Z{ }070{ }{ }, QE8Z{ }090{ }{ }	04581005
QE8Z{ }150{ }{ }	04581005
QE8S{ }230{ }{ }	04580981

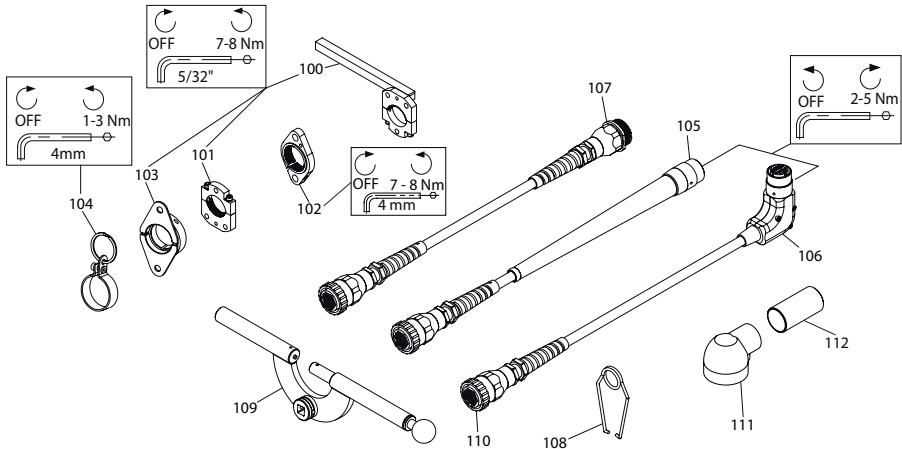
QE8 Angle Head Attachments



QE8 Angle Head Attachments - Parts List

Item	Product Identification Code	Part Number
81	QE8A{ }225{ }A7512	AA16S12
82	QE8A{ }400{ }A8512	AA20S12

QE8 High Torque Accessories



(Dwg. TP2292)

QE8 High Torque Accessories - Parts List

Item	Part Description	Part Number
† 100	Reaction Bar Assembly	DEA120-K48
† 101	Mounting Plate Assembly	DAM120-K48
† 102	Mounting Plate Assembly (Flanged)	GEM120-K48
† 103	Swivel Hanger Kit	GEA400-K365
† 104	Tool Hanger Assembly	GEA40-A365
105	Power Cord Assembly (3 Meter)	GEA40-CORD-3M
	Power Cord Assembly (6 Meter)	GEA40-CORD-6M
	Power Cord Assembly (10 Meter)	GEA40-CORD-10M
106	Power Cord Assembly, 90 Deg. (3 Meter)	GEA40-CORD-3M-90
	Power Cord Assembly, 90 Deg. (6 Meter)	GEA40-CORD-6M-90
	Power Cord Assembly, 90 Deg. (10 Meter)	GEA40-CORD-10M-90
107	Power Cord Extension Assembly (10 Meter)	GEA40-EXT-10M
	Power Cord Extension Assembly (20 Meter)	GEA40-EXT-20M
	Power Cord Extension Assembly (40 Meter)	GEA40-EXT-40M
108	Suspension Bail	7L-365
109	Spanner Wrench	GEA40-478
110	Coupling Ring	GEA40-26F-12
*111	Angle Head Sleeve	
	for Model { }A7S12	GEA240-173
	for Model { }A7S12 (Extended Boot)	GAA7-170
*	Socket Tray Retaining Pin & Spring (for 1/2" square drive only, Qty: 5 of each)	GEA40-38KIT-5
112	Spindle Lock	
	for 41S08	120E4-LOCK
	for 61S08 & 81S08	120E6-LOCK

† For Model QE8{ }150{ } Non-Flanged Models Only.

* For Model QE8A{ }225{ } Angle Head Models Only.

** Not Shown.

Packaging (Corrugated Box)

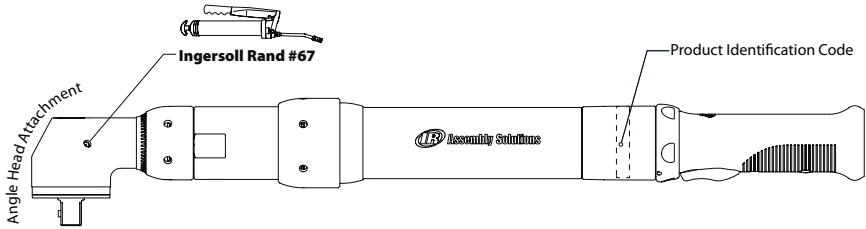
Packaging P/N	Part Description
BOX-30	Corrugated Box (For 150Nm Straight, All Angle, 70Nm & 90Nm Power Unit Tools)
BOX-TM	Corrugated Box (For 230Nm Straight, All Offset, 150Nm & 230Nm Power Unit Tools)
BOX-30X	Foam (For All Tools)

Greases

Grease P/N	Part Description
67-4T	#67 Grease, 4 oz
67-1 LB	#67 Grease, 1 lb
67 8 LB	#67 Grease, 8 lb
GTH-1	Grease tube head (For QE Angle Tools. Use with 4 oz grease tube)

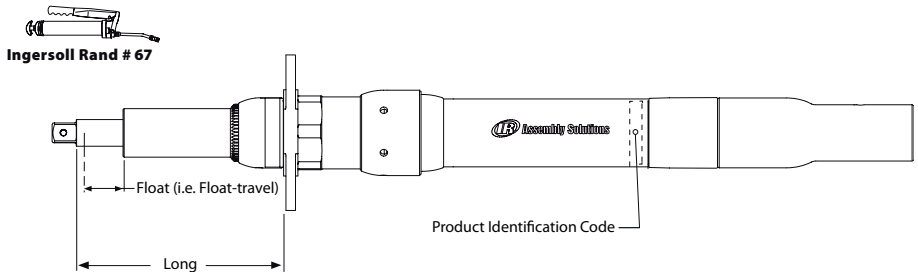
QE8 Tool Assemblies

Angles



(Dwg. TP2161b)

In-Lines



(Dwg. TP2161a)

Suggested Tools Parts List

Item	Tool Used	Description	Where Used?
1	Spanner Wrench	Ingersoll Rand Part #GEA40-478	Coupling Nut
2	Pin Spanner Wrench	3 mm or 1/8" pin	Motor Housing Assembly, Cable
3	Torque Wrench	1/2" Sq. Drive, 50 ft-lb capacity	General use
4	Adjustable Pin Wrench	-----	In-Lines, Bearing Caps
5	Adjustable Wrench	-----	Coupling Nut (with flats)
6	5/64" Hex Key	-----	Cap Screws (Low Socket Head)
7	9/64" Hex Key	-----	Cap Screws (Regular Head)
8	Internal Snap Ring Pliers	-----	General use
9	Pick	-----	O-Rings (behind Reverse Ring), Smalley Ring, etc.

Parts and Maintenance

When the life of the tool has expired, it is recommended that the tool be disassembled, degreased and parts be separated by material so that they can be recycled.

Tool repair and maintenance should only be carried out by an authorized Service Center.

Refer all communications to the nearest **Ingersoll Rand** Office or Distributor.

Related Documentation

For additional information refer to:
 Product Safety Information Manual 16573685.
 Product Information Manual 16576951.
 Maintenance Information Manual 16600074.

Manuals can be downloaded from www.ingersollrandproducts.com.

www.ingersollrandproducts.com

© 2009 *Ingersoll Rand* Company

