



16574477
Edition 4
October 2009

DC Electric Tools, Angle and Inline

QE8 Series

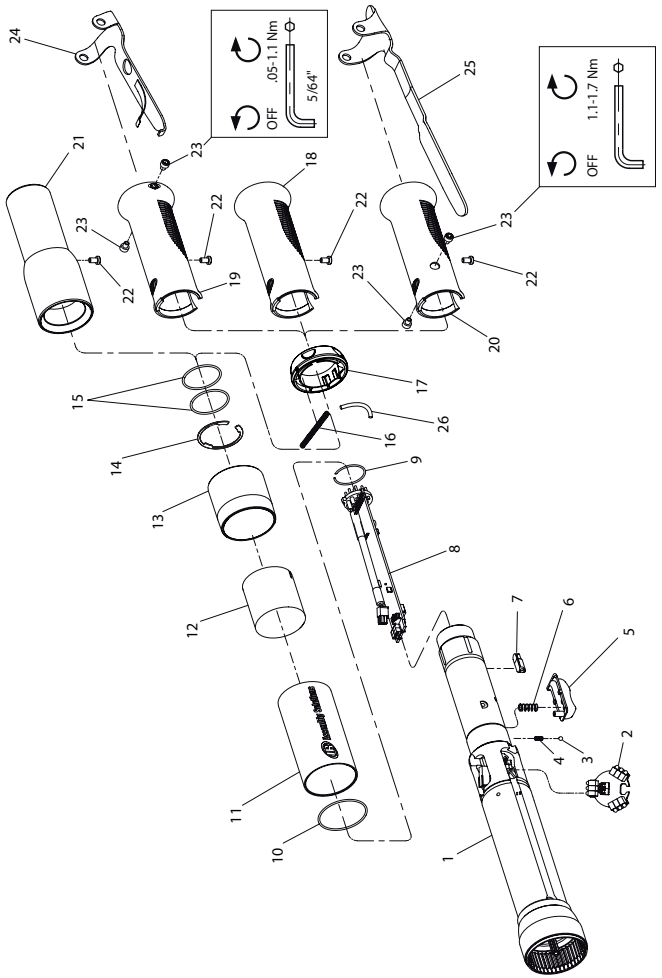
Parts Information



Save These Instructions



QE8 Motor Housing Assembly, Grips and Levers Exploded Diagram



(Dwg. TP2155)

QE8 Motor Housing Assembly, Grips and Levers Parts List

Item	Part Description	Part Number	Item	Part Description	Part Number
1	Motor Housing Assembly	GEA120-D53-491	14	Retaining Ring	GEA40-208
2	LED Board	GEA40-98	15	O-Ring	GEA40-801
3	Ball	AV1-255	** 16	Spring	GEA40-329-52-1
4	Spring	GEA40-329-51	** 17	Reverse Ring	GEA40-329-1
5	Trigger	GEA40-273	18	Handle Grip	GEA40-135
6	Spring	GEA40-273-51	19	Handle Grip	GEA40-135-SL
† 7	Memory Chip	TRP-A528	20	Handle Grip	GEA40-135EL
* 8	Communication Board	GEA40-A499	21	Sleeve	GEF40-137
9	Retainer	GEA40-2309-104	22	Socket Cap Screw (Low Head)	GEA40-135-68
10	O-Ring	GEA40-136-211	23	Socket Head Cap Screw	GEA40-273EL-68
11	Housing Cover	GEA120-136	24	Lever, Short	GEA40-273SL
12	Warning Label	GEA40-99	25	Lever, Extended	GEA40-273EL
13	Label-Cover Lens	GEA40-600	26	Guide Pin	GEA40-329-53

* If tool serial number is before A07K, also order new GEA40-273.

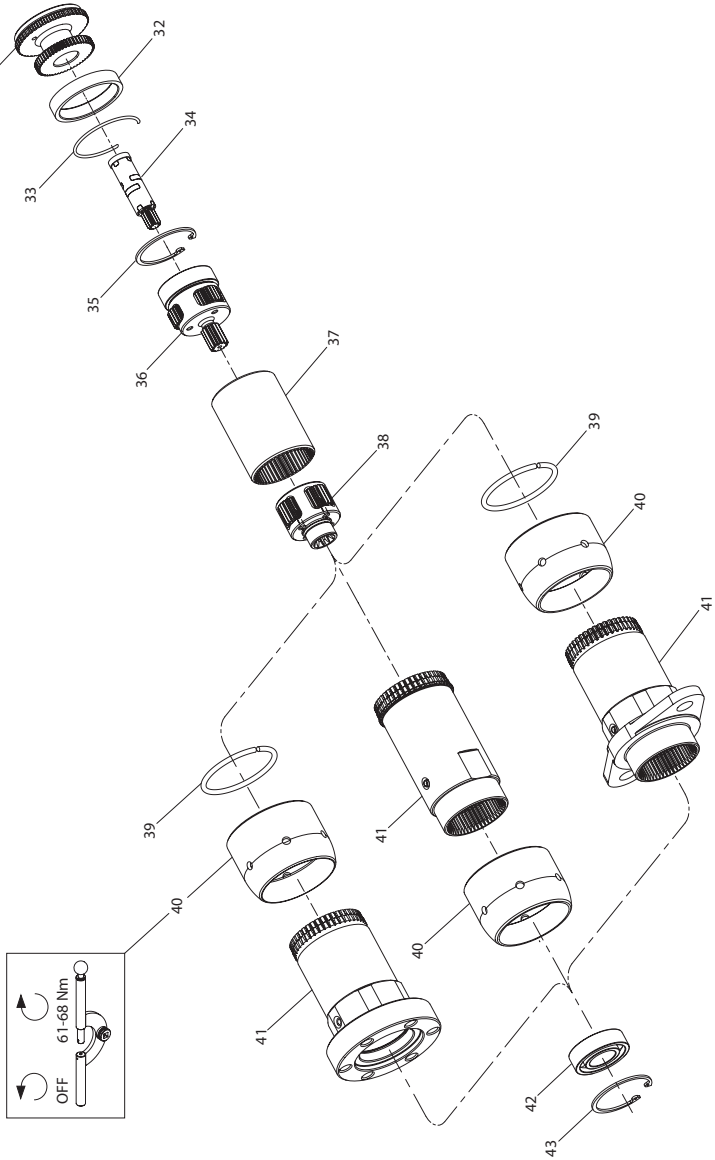
** If tool serial number is before A07F, order kit GEA40-K329 instead.

† Optional Part. Order O-Rings GEA40-801 with memory chip.

QE8 Transducer Assembly and Gearing Components Exploded Diagram



Ingersoll Rand #67



(Dwg. TP2156)

QE8 Transducer Assembly and Gearing Components Parts List

Item	Part Description	Model Identification				
		QE8A{ }065F{ }	QE8A{ }065F{ }	QE8A{ }070F{ }	QE8A{ }070F{ }	QE8A{ }090F{ } QE8S{ }055F{ }
		--	--	--	--	*QE8Z{ }055F{ } 52S06
		Part Number				
31	Transducer Assembly	GEA120-A756-50	GEA120-A756-50	GEA120-A756-50	GEA120-A756-50	GEA120-A756-50
	Gear Case Assembly	GEA55-M37	GEF55-M37	GEA70-M37	GEF70-M37	GEA90-M37
32	Spacer	DEA120-945	DEA120-945	DEA120-945	DEA120-945	DEA120-945
33	Retainer	DEA120-29	DEA120-29	DEA120-29	DEA120-29	DEA120-29
34	Pinion Coupler Assembly	DEA120-17	DEA120-17	DEA120-17	DEA120-17	DEA120-17
35	Retaining Ring	W64-118	W64-118	W64-118	W64-118	W64-118
36	1st Stage Spindle Assembly	DEA55-A216	DEA55-A216	DEA70-A216	DEA70-A216	DEA90-A216
	Spindle	--	--	--	--	--
	Planet Pin	--	--	--	--	--
	Planet Bearing	--	--	--	--	--
	Planet Gear (1st)	--	--	--	--	--
	Bearing	--	--	--	--	--
37	Ring Gear	DEA120-406	DEA120-406	DEA120-406	DEA120-406	DEA120-406
38	2nd Stage Spindle Assembly	DEA120-A8	DEA120-A8	DEA70-A8	DEA70-A8	DEA90-A8
	Spindle	--	--	--	--	--
	Planet Pin	--	--	--	--	--
	Planet Bearing	--	--	--	--	--
	Planet Gear (2nd)	--	--	--	--	--
39	Retainer	--	DEF120-29	--	DEF120-29	--
40	Coupling Nut	GEA120-43	GEA120-43	GEF120-43	GEA120-43	GEF120-43
41	Gear Case	DEA120-B37	GEF120-B37	DEA120-B37	GEF120-B37	DEA120-B37
42	Bearing	R38P-606	R38P-606	R38P-606	R38P-606	R38P-606
43	Retaining Ring	W64-118	W64-118	W64-118	W64-118	W64-118

* Refer also to Service Manual 04581021 for Geared Offset Head.

QE8 Transducer Assembly and Gearing Components Parts List (Cont'd)

Item	Part Description	Model Identification				
		QE8A{ }090F{ } QE8S{ }055F{ }	QE8A{ }115F{ } QE8S{ }070F{ }	QE8A{ }115F{ } QE8A{ }070F{ }	QE8A{ }150F{ } QE8S{ }090F{ }	QE8A{ }150F{ } QE8S{ }090F{ }
		*QE8Z{ }055F{ } 52S06	--	--	--	--
		Part Number				
31	Transducer Assembly	GEA120-A756-50	GEA120-A756-90	GEA120-A756-90	GEA120-A756-90	GEA120-A756-90
	Gear Case Assembly	GEF90-M37	GEA120-M37	GEF120-M37	GEA150-M37	GEF150-M37
32	Spacer	DEA120-945	DEA120-945	DEA120-945	DEA120-945	DEA120-945
33	Retainer	DEA120-29	DEA120-29	DEA120-29	DEA120-29	DEA120-29
34	Pinion Coupler Assembly	DEA120-17	DEA120-17	DEA120-17	DEA120-17	DEA120-17
35	Retaining Ring	W64-118	W64-118	W64-118	W64-118	W64-118
36	1st Stage Spindle Assembly	DEA90-A216	DEA120-A216	DEA120-A216	DEA150-A216	DEA150-A216
	Spindle	--	--	--	--	--
	Planet Pin	--	--	--	--	--
	Planet Bearing	--	--	--	--	--
	Planet Gear (1st)	--	--	--	--	--
	Bearing	--	--	--	--	--
37	Ring Gear	DEA120-406	DEA120-406	DEA120-406	DEA200-406	DEA200-406
38	2nd Stage Spindle Assembly	DEA90-A8	DEA120-A8	DEA120-A8	DEA150-A8	DEA150-A8
	Spindle	--	--	--	--	--
	Planet Pin	--	--	--	--	--
	Planet Bearing	--	--	--	--	--
	Planet Gear (2nd)	--	--	--	--	--
39	Retainer	DEF120-29	--	DEF120-29	--	DEF120-29
40	Coupling Nut	GEF120-43	GEA120-43	GEF120-43	GEA120-43	GEF120-43
41	Gear Case	GEF120-B37	DEA120-B37	GEF120-B37	DEA120-B37	GEF120-B37
42	Bearing	R38P-606	R38P-606	R38P-606	R38P-606	R38P-606
43	Retaining Ring	W64-118	W64-118	W64-118	W64-118	W64-118

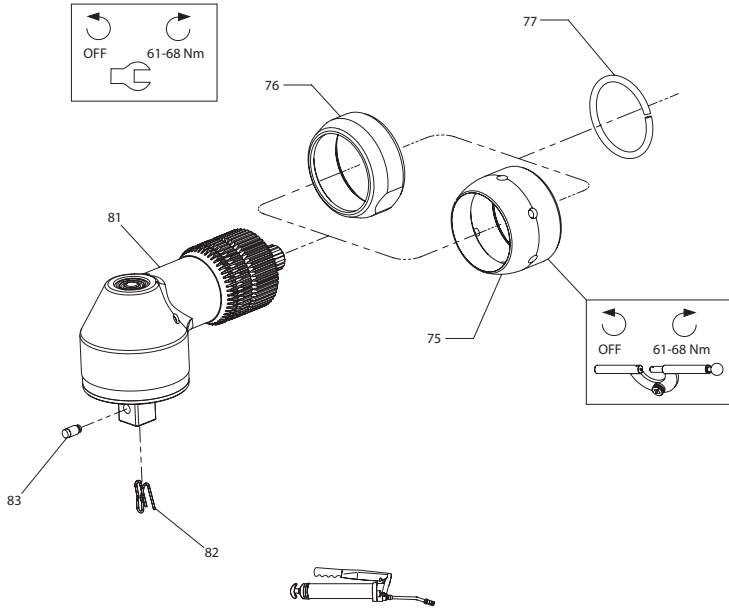
* Refer also to Service Manual 04581021 for Geared Offset Head.

QE8 Inline Attachment Components Parts List

Item	Part Description	Part Number	Item	Part Description	Part Number
*	Inline Spindle Assemblies		66	Socket Retaining Pin	804-716
	QE8...41S08 (1/2" Sq. Drive and 4" Long Shank)	GE458	67	Coupler	
				for 41S08	120E4-581
	QE8...61S08 (1/2" Sq. Drive and 6" Long Shank)	GE658	68	for 61S08 and 81S08	120E6-581
				Disengaging Spring	
	QE8...81S08 (1/2" Sq. Drive and 8" Long Shank)	GE858	68	for 41S08	120E4-626
				for 61S08 and 81S08	120E6-626
61	Housing Assembly		69	Drive Spindle Assembly	120E4-A584
	for 41S08	120E4-A580	70	Washer	120E4-106
	for 61S08	120E6-A580	71	Retaining Ring	FEA100-20
	for 81S08	120E8-A580	72	Rear Spindle Bearing	8SA32-593
62	Washer	120E4-105	73	Bearing Cap	8SA32-531
63	Washer	120E4-106	75	Coupling Nut, Long	GEA40-27
64	Square Drive Spindle		76	Coupling Nut, Short	DAA4-27
	for 41S08	120E4S8-586	77	Retainer	DAA4-29
	for 61S08	120E6S8-586	78	Spindle Lock	
	for 81S08	120E8S8-586		for GE458	120E4-LOCK
65	Socket Retainer Spring	5UHD-718	for GE658 & GE858	120E6-LOCK	

* Not Illustrated.

QE8 Angle Head Attachment Exploded Diagram



Ingersoll Rand #67

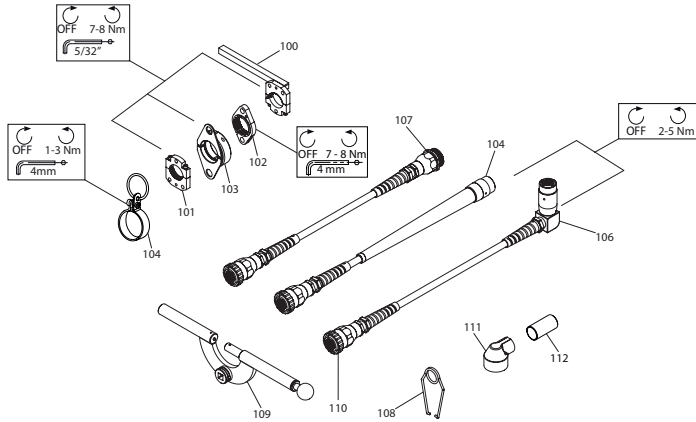
(Dwg. TP2158)

QE8 Angle Head Attachment Parts List

Item	Part Description	QE8.....A5S08	QE8.....A6S08
		Part Number	
75	Coupling Nut, Long	GAA40-27	GAA40-27
76	Coupling Nut, Short	DAA4-27	DAA4-27
77	Retainer	DAA4-29	DAA4-29
*81	Angle Head Attachment	GAA5S8	GAA6S8
82	Socket Retaining Spring	5UHD-718	5UHD-718
83	Socket Retaining Pin	804-716	804-716

* Item 81 includes items 82 and 83.

QE8 Accessories Exploded Diagram (Optional)



(Dwg. TP2159-C)

QE8 Accessories Parts List (Optional)

Item	Part Description	Part Number
**100	Reaction Bar Assembly	DEA120-K48
**101	Mounting Plate Assembly	DAM120-K48
**102	Mounting Plate assembly Flanged	GEM120-K48
**103	Swivel Hanger Kit	GEA40-K364
**104	Tool Hanger Assembly	GEA40-A365
105	Power Cord Assembly (3 Meter)	GEA40-CORD-3M
	Power Cord Assembly (6 Meter)	GEA40-CORD-6M
	Power Cord Assembly (10 Meter)	GEA40-CORD-10M
106	Power Cord Assembly, 90 Deg. (3 Meter)	GEA40-CORD-3M-90
	Power Cord Assembly, 90 Deg. (6 Meter)	GEA40-CORD-6M-90
	Power Cord Assembly, 90 Deg. (10 Meter)	GEA40-CORD-10M-90
107	Power Cord Extension Assembly (10 Meter)	GEA40-EXT-10M
	Power Cord Extension Assembly (20 Meter)	GEA40-EXT-20M
	Power Cord Extension Assembly (40 Meter)	GEA40-EXT-40M
108	Suspension Bail	7L-365
109	Spanner Wrench	GEA40-478
110	Coupling Ring	GEA40-26F-12
111	Angle Sleeve	
	for Model { }A5S08	GEA40-172
	for Model { }A5S08 (Extended Boot)	GAA5-170
	for Model { }A6S08	GEA40-173
*	for Model { }A6S08 (Extended Boot)	GAA6-170
	Socket Tray Retaining Pin & Spring (for 1/2" square drives only, Qty: 5 of each)	GEA40-38KIT-5
112	Spindle Lock	
	for 41S08	120E4-LOCK
	for 61S08 & 81S08	120E6-LOCK

* Not Shown.

** For Model QE8{}150{} Non-Flanged Models Only.

Packaging (Corrugated Box)

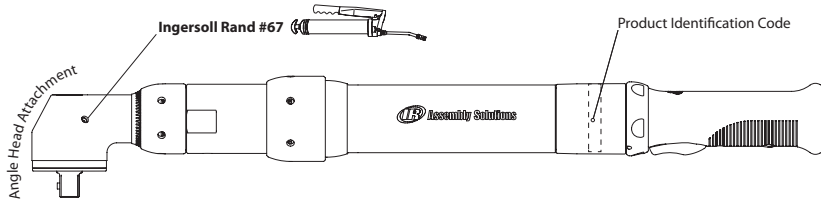
Packaging PIN	Description
BOX-30	Corrugated Box (for All Straight, All Angle and 90Nm or under Power Unit Tools)
BOX-TM	Corrugated Box (for Offset and 150Nm Power Unit Tools)
BOX-30X	Foam (for All Tools)

Greases

Grease P/N	Description
67-4T	#67 Grease, 4 oz
67-1 LB	#67 Grease, 1 lb
67 8 LB	#67 Grease, 8 lb
GTH-1	Grease tube head (for QE Angle Tools. Use with 4 oz grease tube.)
170-1LB	#170 Grease, 1 lb
170-8LB	#170 Grease, 8 lb

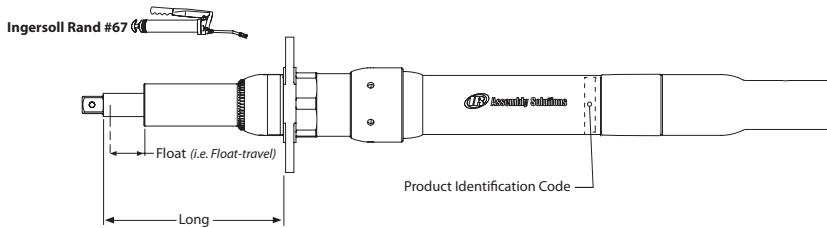
QE8 Tool Assemblies Exploded Diagram

Angles



(Dwg. TP2161b)

In-Lines



(Dwg. TP2161a)

QE8 Suggested Tools Parts List

Item	Tool Used	Part Description	Where Used?
1	Spanner Wrench	Ingersoll Rand Part # GEA40-478	Coupling Nut
2	Pin Spanner Wrench	3 mm or 1/8" pin	Motor Housing Assembly, Cable
3	Torque Wrench	1/2" Sq. Drive, 50 ft-lb capacity	General use
4	Adjustable Pin Wrench	--	Inlines, Bearing Caps
5	Adjustable Wrench	--	Coupling Nut (with flats)
6	5/64" Hex Key	--	Cap Screws (Low Socket Head)
7	9/64" Hex Key	--	Cap Screws (Regular Head)
8	Internal Snap Ring Pliers	--	General use
9	Pick	--	O-Rings (behind Reverse Ring), Smalley Ring, etc.

Parts and Maintenance

When the life of the tool has expired, it is recommended that the tool be disassembled, degreased and parts be separated by material so that they can be recycled.

Tool repair and maintenance should only be carried out by an authorized Service Center.

Refer all communications to the nearest **Ingersoll Rand** Office or Distributor.

Related Documentation

For additional information refer to:

Product Safety Information Manual 16573685.

Product Information Manual 16576951.

Maintenance Information Manual 16575177.

Manuals can be downloaded from www.ingersollrandproducts.com.

Notes:

www.ingersollrandproducts.com

© 2009 *Ingersoll Rand* Company

