



TL-IQ111-FM-PLM

Edition 1

May 2025

# Electric Tool Controller

## IQI Series

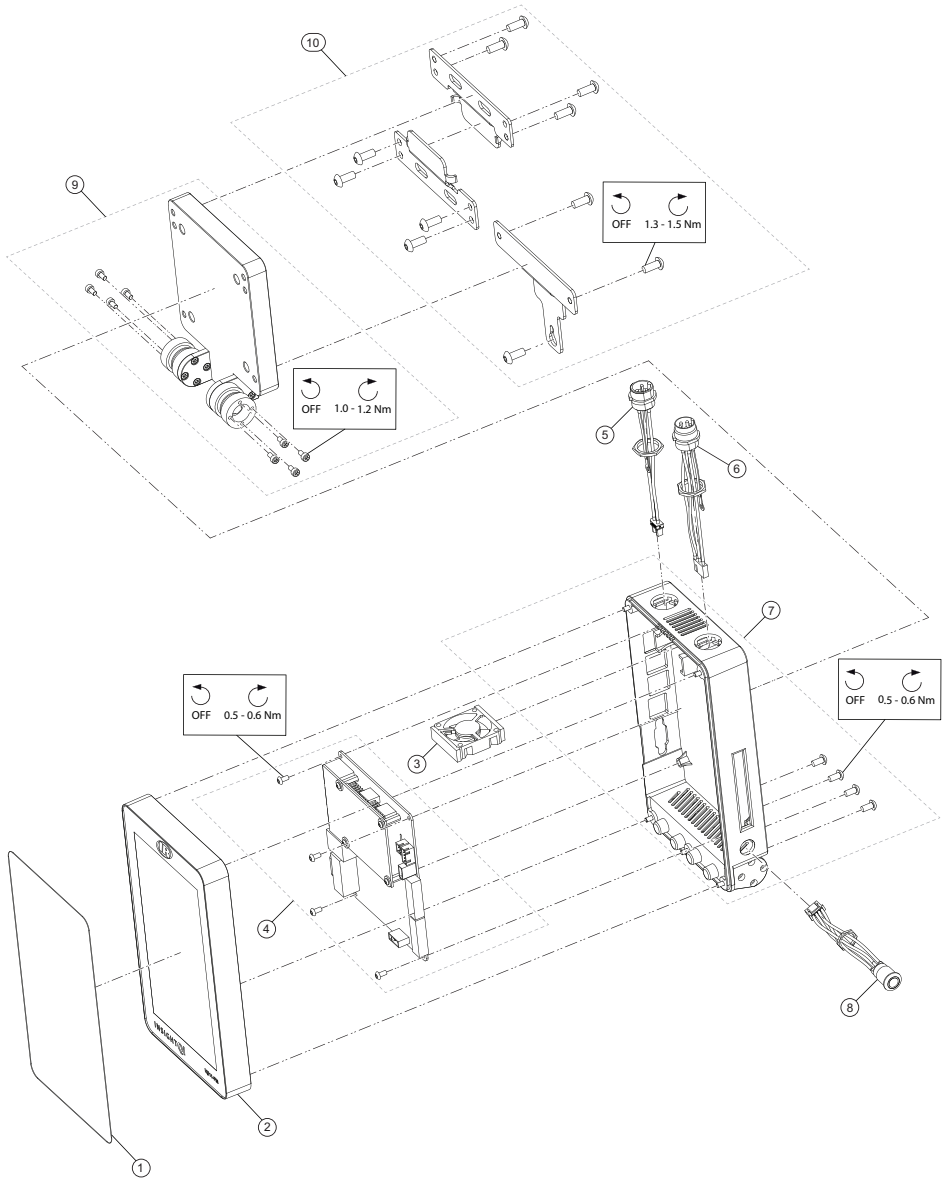
---

# Parts Information



Save These Instructions

# IQI Series, Electric Tool Controller - Exploded View



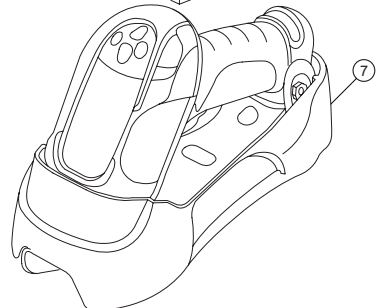
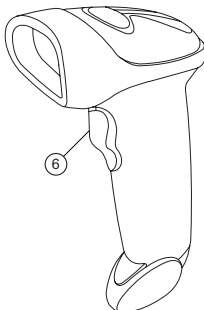
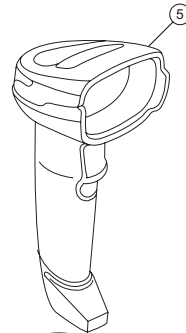
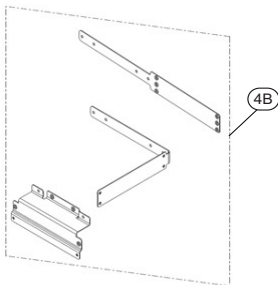
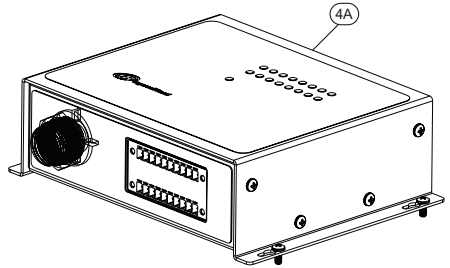
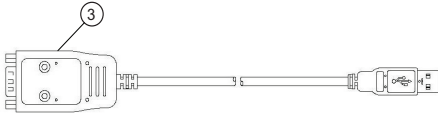
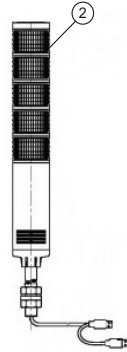
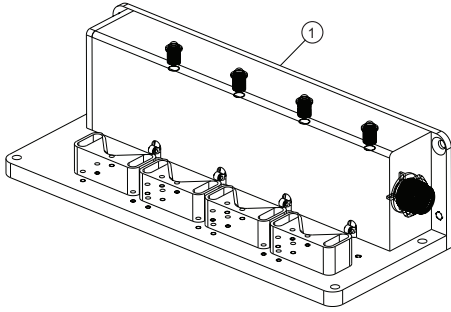
(Dwg. TL-IQ111-FM-PLM-1)

**IQI Series, Electric Tool Controller - Parts List**

<b>Item</b>	<b>Part Description</b>	<b>Part Number</b>
1	Screen Protective Film kit	TK-IQI11-825
2	Screen Assembly kit	TK-IQI11-830
3	Fan Assembly Kit	TK-IQI11-524
4	Carrier Board Assembly Kit	TK-IQI11-499
*	PCB Assembly	---
*	Pan Head Screw (4 required)	---
5	Tool Connector Kit (5 pins)	TK-IQI11-C5
6	Power Connector Kit (3 pins)	TK-IQI11-C3
7	Housing Assembly Kit	TK-IQI11-040
*	Back Housing	---
*	Base Plate Bracket	---
*	Pan Head Screw (4 required)	---
8	Controller Switch Assembly Kit	TK-IQI11-093
9	Base Plate Assembly Kit	TK-IQI11-292
*	Base Plate	---
*	Damping Joint	---
*	Pan Head Screw (8 required)	---
10	Bracket Mounting Kit	TK-IQI11-365
*	Bracket	---
*	Bracket Wall Mounting	---
*	Pan Head Screw (11 required - M5x12mm)	---

\* Indicates not illustrated.

## Controller Accessories (Optional)



---

## Controller Accessories (Optional) - Parts List

Item	Part Description	Part Number (CCN)
1	Socket Tray, 4 Position	QC-SKTR (47615828001)
2	USB Tower Light	QC-TL-4 (47601629001)
3	Serial Interface Adapter	QC-ADPT-1 (47601630001)
*	Digital IO Box, 8 Channel (includes 4A and 4B)	QC-DIO-8CH (47617332001)
4A	Digital IO Box Assembly	---
4B	DIO Box Mounting Bracket Kit	QC-DIO-366-K (47628739001)
5	Bar Code Scanner (1D and 2D)	QC-BC-SCAN-1 (47625754001)
6	Bar Code Scanner (1D)	QC-BC-SCAN-2 (47625755001)
7	Bar Code Scanner, Wireless (1D)	QC-BC-SCAN-WL (47625756001)

\* Indicates not illustrated.

---

## Parts and Maintenance

When tool life has expired, it is recommended that the tool be disassembled, degreased and parts separated by material for proper recycling.

Tool repair and maintenance should only be carried out by an authorized Service Center.

Refer all communications to the nearest **Ingersoll Rand** office or distributor.

---

## Related Documentation

Manuals can be downloaded from [ingersollrand.com](http://ingersollrand.com)

For additional information, refer to:

Product Safety Information Manual 16573701

Product Information Manual TL-IQ11-FM-PIM

DC Electric Tools, Product Information Manual TL-IQI-PIM

DC Electric Tools, Parts Information Manual TL-IQI-PLM

---

**Notes:**

**Notes:**

---

