



04581344

Edition 8

July 2009

Fixtured In-Line DC Electric Nutrunner

QM9 Series

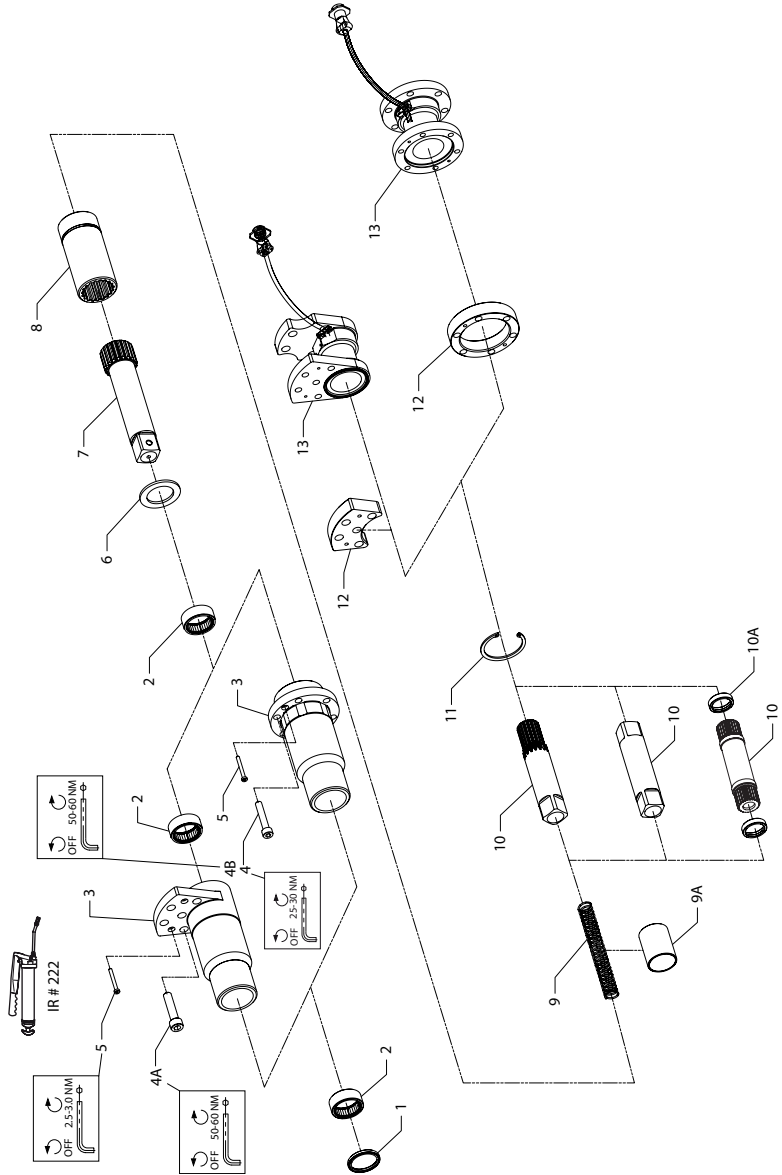
Parts Information



Save These Instructions

 **Ingersoll Rand**

QM9 Spindle/Transducer Assembly Exploded Diagram



(Dwg. 16576043-4)

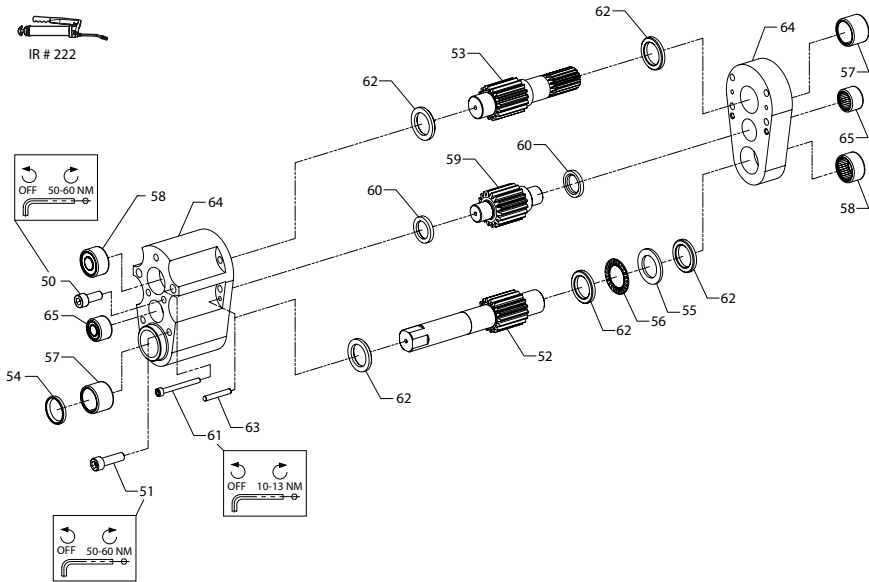
QM9 Spindle/Transducer Parts List

Item	Part Description	Part Number				QM9Z{}
		† QM9S{}	QM9S{01K{}	QM9S{18/15}C{}	QM9S{25/20}C{}	
.	Housing Assembly (does not include items 7 and 9)	EE9-A580	EE9-A580	EE10-A580	EE10-A580-B	EE9-A580Z
1	Seal	EE9-272	EE9-272	EE10-272	EE10-272	EE9-272
2	Needle Bearing	EE9-606 (2 required)	EE9-606 (2 required)	EE10-606 (3 required)	EE10-606 (3 required)	EE9-606 (3 required)
3	Housing	EE9-580	EE9-580	EE10-580	EE10-580	EE9-580Z
4	Screw M8 x 1.25 x 45 (6 required)	EE9-756-68	EE9-756-68	---	---	---
4A	Screw M10 x 1.25 x 45 (5 required)	---	---	---	---	EE9-756Z-68
4B	Screw M10 x 1.5 x 45 (10 required)	---	---	EE10-756-68	EE10-756-68	---
5	Screw M4 x 0.7 x 35 (2 required)	EE9-767-68	EE9-767-68	---	---	EE9-767-68
*	Screw M6 x 1 x 35 (2 required)	---	---	EE10-767-68	EE10-767-68	---
6	Washer	EE9-105	EE9-105	EE10-105	EE10-105	EE9-105
7	Spindle					
	for QM9...62S24	---	---	EE10S24-586-S	EE10S24-586-S	---
	for QM9...62S16	EE9S16-586-S	EE9S16-586-S	---	---	EE9S16-586-S
	for QM9...92S16	EE9S16-586-M	EE9S16-586-M	---	---	EE9S16-586-M
	for QM9...22S16	EE9S16-586-L	EE9S16-586-L	---	---	EE9S16-586-L
	for QM9...62S12	EE9S12-586-S	---	---	---	EE9S12-586-S
	for QM9...92S12	EE9S12-586-M	---	---	---	EE9S12-586-M
	for QM9...22S12	EE9S12-586-L	---	---	---	EE9S12-586-L
8	Coupler Assembly	EE9-581	EE9-581	EE10-581	EE10-581-B	EE9-581
9	Spring	EE9-626	EE9-626	EE10-626	EE10-626	EE9-626
9A	Spindle Lock	EE9-Lock	EE9-Lock	EE10-Lock	EE10-Lock	EE9-Lock
9B	Spring, Super Heavy	EE9-626-H	EE9-626-H	---	---	EE9-626-H
10	Tas Spindle	EE9-585	EE9-807-2	EE10-807-2	EE10-807-2-B	---
10A	Spacer Ring (2 required)	---	---	---	EE10-Spacer Ring-B	---
11	Retainer	EE9-20	EE9-20	EE10-20	EE10-20	---
12	Plate Spacer	EE9-767	EE9-767	EE10-767	EE10-767	EE9-767Z
13	Transducer Assembly	EE9-A756-650	EE9-A756-1100	EE10-A756-2000	EE10-A756-2000	EE9-A756-650Z

* Not illustrated.

† Excluding QM9S{01K{ } and QM9S{25/20/18/15}C{ } Models.

Offset Gearbox Exploded Diagram



(Dwg. 10564367-1)

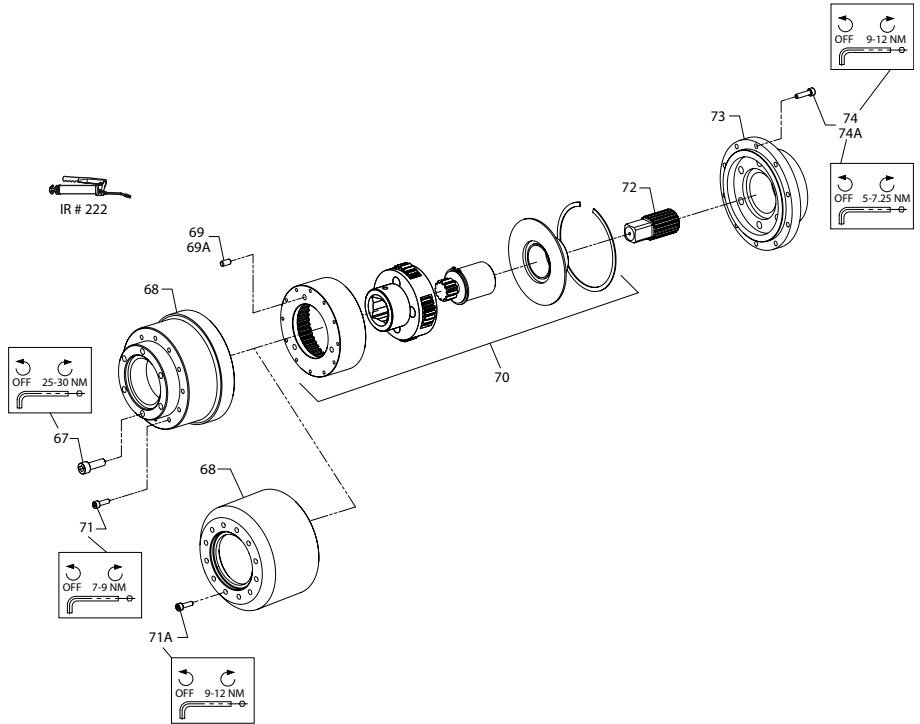
Offset Gearbox Parts List

These parts are available only for QM9Z{ } models

Item	Description	Part Number	Item	Description	Part Number
*	Offset Gear Case Assembly	EE9-A237	58	Bearing (2)	EE9-143
50	Screw M10 x 1.5 x 25 (2)	EE9-237-68	59	Intermediate Gear	EE9-757
51	Screw M10 x 1.5 x 35 (2)	EE5-756-68	60	Thrust Washer (2)	EE9-118
52	Output Gear	EE9-758	61	Screw M6 x 1 x 60 (2)	EE9-7
53	Drive Gear	EE9-756	62	Thrust Washer (5)	EE9-212
54	Seal	EE9-271	63	Dowel Pin M6 x 40 (2)	EE9-265
55	Thrust Washer	EE9-706	64	Offset Gear Case (sold only as matched set)	EE9-237
56	Bearing, Thrust	EE9-695	65	Bearing, Needle (2)	R4810-501
57	Bearing, Needle (2)	EE9-363			

* Not illustrated.

Gear Multiplier Exploded Diagram

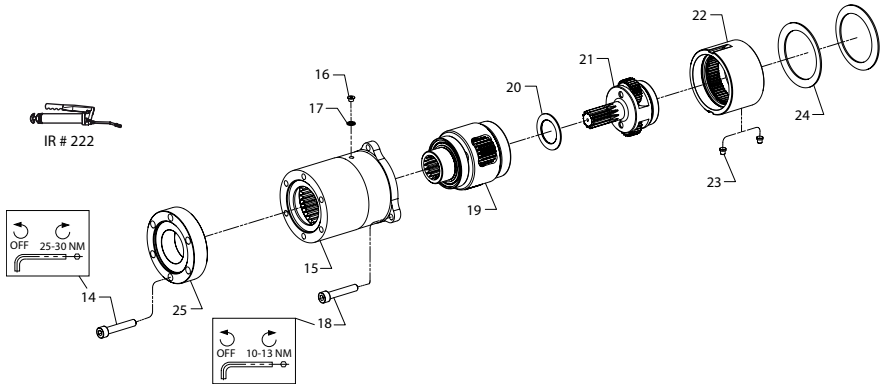


(Dwg. 16591638-1)

Gear Multiplier Parts List (Available only for QM9{ }01K{ } and QM9{ }[25/20/18/15]C{ })

Item	Part Description	Part Number		
		QM9{ }01K{ }	QM9{ }[18/15]C{ }	QM9{ }[25/20]C{ }
67	Screw - M8 x 1.25 x 25 (6)	EE9-212-1-68	---	---
68	Adapter - Transducer	EE9-212-1	EE10-212-1	EE10-212-1
69	Dowel Pin M6 x 12	EE9-750-120 (3)	---	---
69A	Dowel Pin M8 x 30	---	EE10-750-120 (6)	EE10-750-120 (6)
70	Gear Multiplier	EE9-A750	EE10-A750	EE10-A750-B
71	Screw - 2BA x 5/8 (12)	EE9-750-68	---	---
71A	Screw BSF1/4" (12)	---	EE10-212-1-68	EE10-212-1-68
72	Drive Spindle	EE9-807-1	EE9-807-1	EE9-807-1
73	Adapter - Motor	EE9-212-2	EE10-212-2	EE10-212-2
74	Screw - M5 x 0.8 x 20 (10)	EE9-212-2-68	---	---
74A	Screw - M6 x 1 x 20 (10)	---	EE10-212-2-68	EE10-212-2-68

QM9 Gearing Assembly Exploded Diagram



(Dwg. 16576050)

QM9 Gearing Assembly Parts List

Item	Part Description	Part Number					
		QM9S{ 315}{}	QM9S{ 435}{}	QM9S{ 520}{}	QM9S{ 650}{}	QM9S{ 01K}{}	QM9S{ 15C}{}
	Gear Case Assembly	EE9-M37-25P2	EE9-M37-34P5	EE9-M37-41P1	EE9-M37-51P4	EE9-M37-25P2	EE9-M37-25P2
14	Screw M8 x 1.25 x 45 ()	EE9-756-68	EE9-756-68	EE9-756-68	EE9-756-68	EE9-756-68	EE9-756-68
*	Screw M8 x 1.25 x 75 (4)	---	---	---	---	---	---
15	Gear Case	EE9-37	EE9-37	EE9-37	EE9-37	EE9-37	EE9-37
16	Plug	R00A-95	R00A-95	R00A-95	R00A-95	R00A-95	R00A-95
17	Washer	R3-92A	R3-92A	R3-92A	R3-92A	R3-92A	R3-92A
18	Screw M6 x 1 x 25 (3)	EE9-53-68	EE9-53-68	EE9-53-68	EE9-53-68	EE9-53-68	EE9-53-68
19	Spindle Assembly	ET4804S-A8	ET4804S-A8	ET4804T-A8	ET4804U-A8	ET4804S-A8	ET4804S-A8
	Welch Plug	---	---	---	---	---	---
	Spindle	---	---	---	---	---	---
	Gear	---	---	---	---	---	---
	Bearing	---	---	---	---	---	---
	Shaft	---	---	---	---	---	---
	Bearing	---	---	---	---	---	---
20	Spacer	R4801-80	R4801-80	R4801-80	R4801-80	R4801-80	R4801-80
21	Gear Head Assembly	R4801Q-A216	R4800S-A216	R4801T-A216	R4801U-A216	R4801Q-A216	R4801Q-A216
	Shaft	---	---	---	---	---	---
	Bearing	---	---	---	---	---	---
	Gear	---	---	---	---	---	---
	Gear Head	---	---	---	---	---	---
	Bearing	---	---	---	---	---	---
22	Gear (ring 1st stage)	R4800-406	R4800-406	R4800-406	R4800-406	R4800-406	R4800-406
23	Key	R4800-407	R4800-407	R4800-407	R4800-407	R4800-407	R4800-407
24	Washer (2)	R4800-81	R4800-81	R4800-81	R4800-81	R4800-81	R4800-81
25	Spacer	EE9-208	EE9-208	EE9-208	EE9-208	---	---

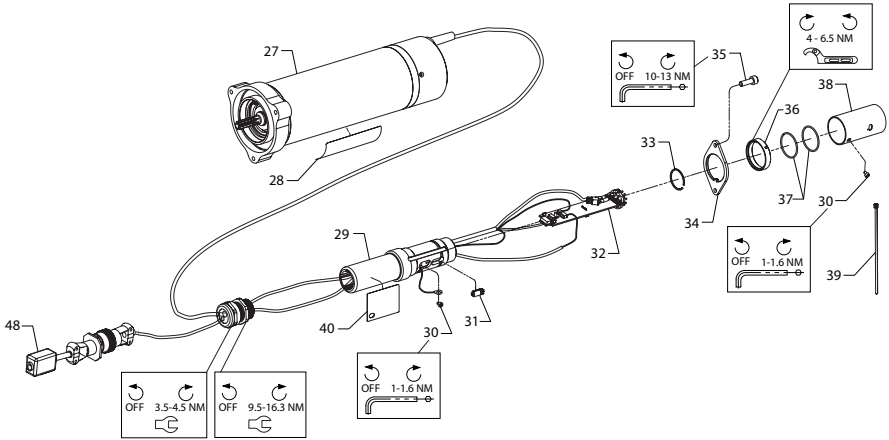
* Not illustrated.

QM9 Gearing Assembly Parts List (Continued...)

Item	Part Description	Part Number					
		QM9S{} 18C{}	QM9S{} 20C{}	QM9S{} 25C{}	QM9Z{} 315{}	QM9Z{} 435{}	QM9Z{} 450{}
	Gear Case Assembly	EE9-M37-34P5	EE9-M37-41P1	EE9-M37-51P4	EE9-M37-25P2Z	EE9-M37-34P5Z	EE9-M37-41P1Z
14	Screw M8 x 1.25 x 45 (6)	EE9-756-68	EE9-756-68	EE9-756-68	---	---	---
*	Screw M8 x 1.25 x 75 (4)	---	---	---	EE9-37Z-68	EE9-37Z-68	EE9-37Z-68
15	Gear Case	EE9-37	EE9-37	EE9-37	EE9-37	EE9-37	EE9-37
16	Plug	R00A-95	R00A-95	R00A-95	R00A-95	R00A-95	R00A-95
17	Washer	R3-92A	R3-92A	R3-92A	R3-92A	R3-92A	R3-92A
18	Screw M6 x 1 x 25 (3)	EE9-53-68	EE9-53-68	EE9-53-68	EE9-53-68	EE9-53-68	EE9-53-68
19	Spindle Assembly	ET4804S-A8	ET4804T-A8	ET4804U-A8	ET4804S-A8	ET4804S-A8	ET4804T-A8
	Welch Plug	---	---	---	---	---	---
	Spindle	---	---	---	---	---	---
	Gear	---	---	---	---	---	---
	Bearing	---	---	---	---	---	---
	Shaft	---	---	---	---	---	---
	Bearing	---	---	---	---	---	---
20	Spacer	R4801-80	R4801-80	R4801-80	R4801-80	R4801-80	R4801-80
21	Gear Head Assembly	R4800S-A216	R4801T-A216	R4801U-A216	R4801Q-A216	R4800S-A216	R4801T-A216
	Shaft	----	----	----	----	----	----
	Bearing	----	----	----	----	----	----
	Gear	----	----	----	----	----	----
	Bearing	----	----	----	----	----	----
22	Gear (ring 1st stage)	R4800-406	R4800-406	R4800-406	R4800-406	R4800-406	R4800-406
23	Key	R4800-407	R4800-407	R4800-407	R4800-407	R4800-407	R4800-407
24	Washer (2)	R4800-81	R4800-81	R4800-81	R4800-81	R4800-81	R4800-81
25	Spacer	---	---	---	EE9-208	EE9-208	EE9-208

* Not illustrated.

QM9 Motor/Electronics Pod Exploded Diagram



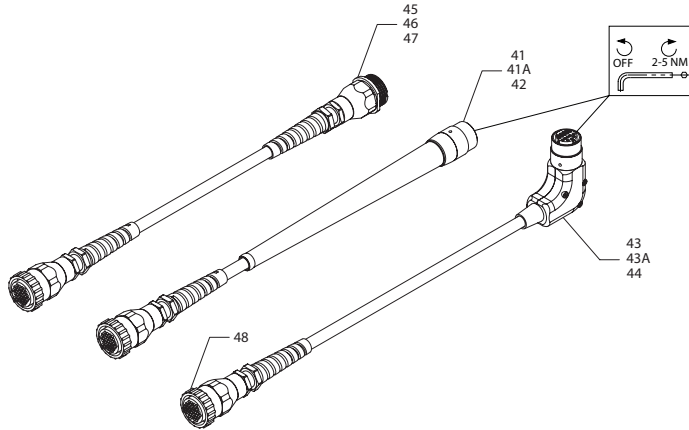
(Dwg. 16576068-2)

QM9 Motor/Electronics Pod Parts List

Item	Part Description	Part Number			
		QM9{}315{} and QM9{}01K{} and QM9{}15C{}	QM9{}435{} and QM9{}18C{}	QM9{}520{} and QM9{}25/20C{}	QM9{}650{}
27	Motor Assembly	EE9-D53-13	EE9-D53-9	EE9-D53-9	EE9-D53-7
28	Warning Label	---	---	---	---
	Strain Relief	---	---	---	---
	Cable Clamp	---	---	---	---
	Cable Assembly	---	---	---	---
	Screw (Back Cap)	---	---	---	---
	Screw (Strain Relief)	---	---	---	---
	Back Cap	---	---	---	---
	Electronics Module	---	---	---	---
29	Housing	EE9-2309-40	EE9-2309-40	EE9-2309-40	EE9-2309-40
30	Screw M3 x 0.5 x 4 (2)	EE9-2309-68	EE9-2309-68	EE9-2309-68	EE9-2309-68
† 31	Memory Chip Assembly	TRP-A528	TRP-A528	TRP-A528	TRP-A528
32	Communication Board	GEA15-A2309	GEA15-A2309	GEA15-A2309	GEA15-A2309
33	Clip	GEA40-2309-104	GEA40-2309-104	GEA40-2309-104	GEA40-2309-104
34	Flange	EE9-2309-767	EE9-2309-767	EE9-2309-767	EE9-2309-767
35	Screw M6 x 1 x 18 (2)	EE7-53-68	EE7-53-68	EE7-53-68	EE7-53-68
36	Nut	EE9-2309-27	EE9-2309-27	EE9-2309-27	EE9-2309-27
37	O-Ring (2)	GEA40-801	GEA40-801	GEA40-801	GEA40-801
38	Cover	EE9-2309-202	EE9-2309-202	EE9-2309-202	EE9-2309-202
39	Cable Tie (3)	EE9-200	EE9-200	EE9-200	EE9-200
40	Logo Label	EE3-99A	EE3-99A	EE3-99A	EE3-99A
48	Clip on Ferrite	EE5-35A-1	EE5-35A-1	EE5-35A-1	EE5-35A-1

† Optional Part. Order O-Rings GEA40-801 with memory chip.

QM Accessories



(Dwg. 80149982)

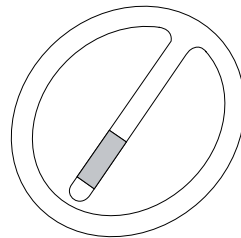
QM Accessories Parts List

Item	Part Description	Part Number	Item	Part Description	Part Number
41	Power Cord Assembly (3 Meter)	GEA40-CORD-3M	45	Power Cord Extension Assembly (10 Meter)	GEA40-EXT-10M
41A	Power Cord Assembly (6 Meter)	GEA40-CORD-6M	46	Power Cord Extension Assembly (20 Meter)	GEA40-EXT-20M
42	Power Cord Assembly (10 Meter)	GEA40-CORD-10M	47	Power Cord Extension Assembly (40 Meter)	GEA40-EXT-40M
43	Power Cord Assembly, 90 Deg. (3 Meter)	GEA40-CORD-3M-90	48	Connector Ring	GEA40-26F-12
43A	Power Cord Assembly, 90 Deg (6 Meter)	GEA40-CORD-6M-90	*	IR# 222 Grease (1 lb.) (0.95 kg.)	EE9-222-1LB
44	Power Cord Assembly, 90 Deg. (10 Meter)	GEA40-CORD-10M-90			

* Not illustrated.

Socket Retainers (One Piece)

Part Number	Drive Size	Inside Diameter	Pin Size
	in. (mm)	in. (mm)	in. (mm)
RR10005S	3/4" (19.05)	1-1/4" (32)	0.187" (4.75)
RR10032S	3/4" (19.05)	1-7/16" (37)	0.187" (4.75)
RR10034S	3/4" (19.05)	1-5/8" (41)	0.187" (4.75)
RR10008S	1" (25.4)	1-3/4" (45)	0.220" (5.59)
RR10010S	1" (25.4)	1-15/16" (49)	0.220" (5.59)
RR10015S	1" (25.4)	2-1/8" to 2-1/4" (54 to 57)	0.220" (5.59)
RR10017S	1" (25.4)	2-1/2" (64)	0.220" (5.59)
RR10019S	1" (25.4)	2-5/8" (67)	0.220" (5.59)
RR10020S	1-1/2" (38.1)	2-7/8" (73)	0.29" (7.36)
RR10025S	1-1/2" (38.1)	3-38" (86)	0.29" (7.36)
RR10030S	1-1/2" (38.1)	3-7/8" (98)	0.29" (7.36)
RR10035S	1-1/2" (38.1)	4-3/8" (111)	0.29" (7.36)



Packaging (Corrugated Box)

Packaging Part Number	QM9 Model No.
B0X - EE9	QM9 { }
B0X - EE10	QM9 { }[25/20/18/15]C{ }

Suggested Tools

Item	Tool Used	Description	Where Used?
1	Pin Spanner Wrench	3 mm or 1/8" pin	Cable, Electronics Pod Flange Nut
2	Torque Wrench	60 Nm Capacity	General Use
3	Adjustable Wrench	----	Electronics Pod Strain Relief
4	Metric Allen Key Set	2.5 - 8 mm	General Use
5	Internal Snap Ring Pliers	----	General Use
6	Pick	----	O-Rings, Retainers, etc.

Parts and Maintenance

When the life of the tool has expired, it is recommended that the tool be disassembled, degreased and parts be separated by material so that they can be recycled.

Tool repair and maintenance should only be carried out by an authorized Service Center.

Refer all communications to the nearest **Ingersoll Rand** Office or Distributor.

Related Documentation

For additional information refer to:

Safety Information Manual 16573693.

Product Information Manual 04581278.

Maintenance Information Manual 04581385.

Manuals can be downloaded from www.ingersollrandproducts.com.

Notes:

www.ingersollrandproducts.com

© 2009 **Ingersoll Rand** Company

