



**80151632**  
Edition 5  
February 2013

## **DC Electric Tools, Pistol**

**QE4 Series**

---

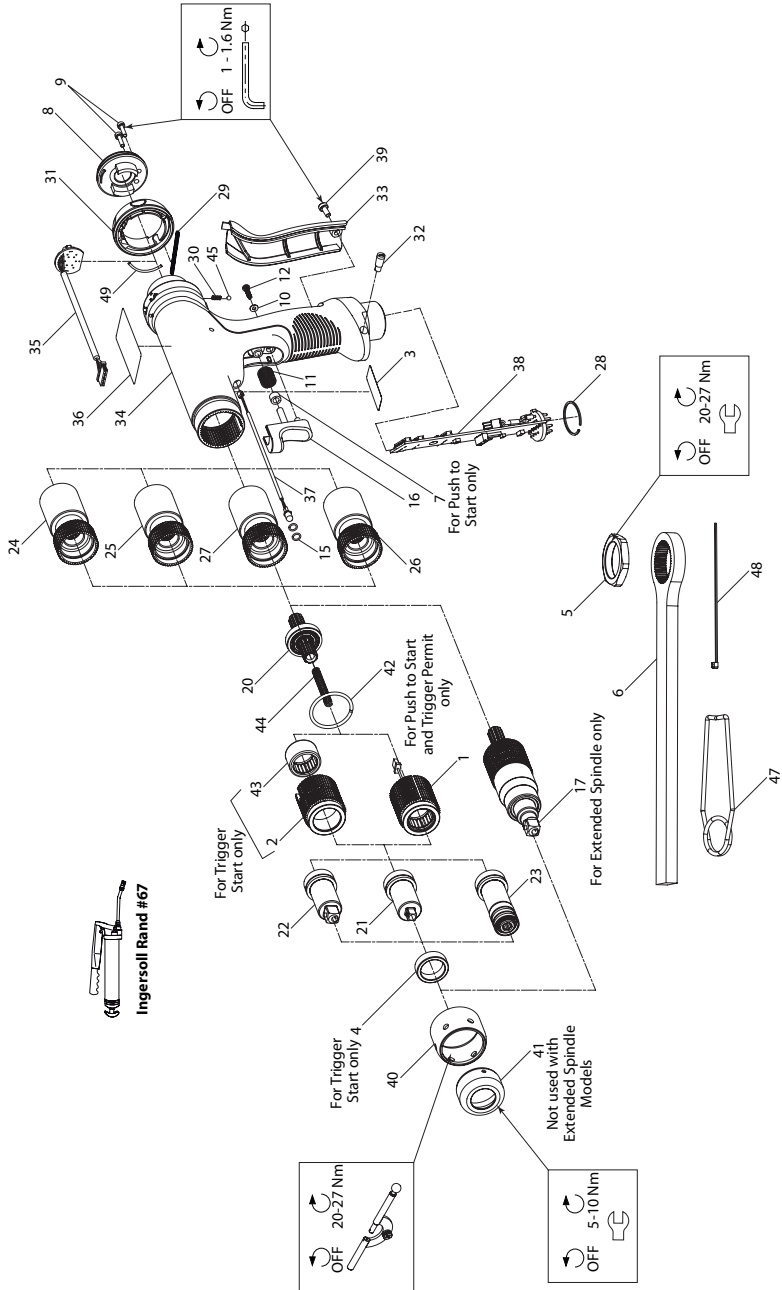
# **Parts Information**



**Save These Instructions**

**IR** *Ingersoll Rand*

# QE4 Pistol - Exploded View



## QE4 Pistol - Parts List

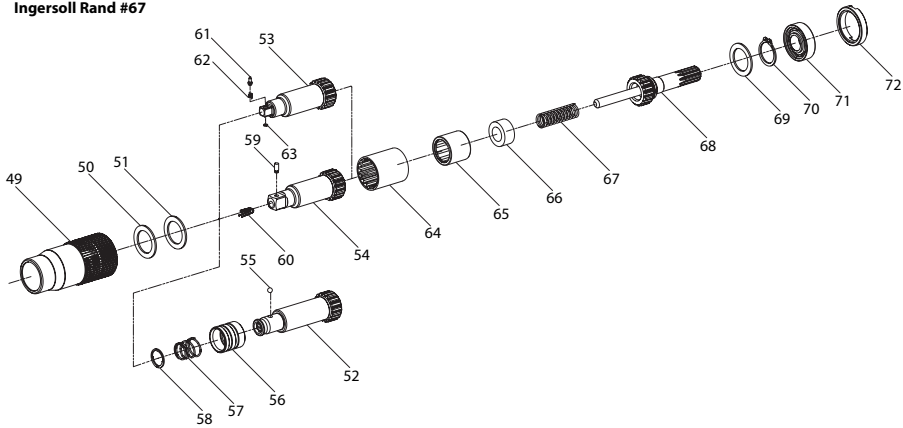
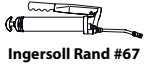
Item	Part Description	Part Number	Item	Part Description	Part Number
1	Housing Assembly, Spindle	GEP15-A580S	27	Gear Case Assembly	GEA15-25-M37
2	Housing, Spindle	GEP15-580S	28	Retainer	GEA40-2309-104
3	Information Label	GEP15-99-1	** 29	Spring	GEA40-329-52-1
4	Spacer, Spindle	GEP15-208	30	Spring	GEA40-329-51
5	Nut, Reaction Bar	GEP15-27	** 31	Switch, Reverse Ring	GEA40-329-1
6	Reaction Bar	GEP15-48	† 32	Chip Holder Assembly	QA4-A528
7	Trigger Spacer	GEP15-274-53	33	Handle Cover	GEP15-144
8	Back Cap Assembly	GEP15-A145	34	Motor Assembly	GEP15-D53
*	Lens	GEP15-600	*	Thread Protector (No Markings)	GEP15-40-1
9	Back Cap Screw	GEP15-145-51	35	Assembly, LED Board	GEP15-A98
10	Trigger Washer	GEP15-274-52	36	Label	GEP15-99
11	Trigger Spring	GEP15-274-51	37	LED Assembly	GEP15-97
12	Trigger Screw	GEP15-274-50	38	Main Board	GEP15-B499
15	O-Ring	GEP15-97-50	39	Handle Cover Screw	GEP15-144-51
16	One Finger Trigger	GEP15-274	40	Coupling Nut	15E2-27
17	Inline Module	15E156	41	Nose Cap	GEP15-40-2
* 18	Inline Module	15E154	42	Coupling Nut Retainer	GEA2-29
* 19	Inline Module	15E1Q4	43	Bearing	DEPTS30-606
20	Drive Spindle Assembly	GEPTS15-A586	44	Spring	DEPTS30-626
21	Spindle Assembly, 1/4" Square	GEPTS15-A586-S4	45	Ball	AV1-255
22	Spindle Assembly, 3/8" Square	GEPTS15-A586-S6	*	Connector, Jumper (not used with Trigger Permit Models)	GEP15-34
23	Spindle Assembly, 1/4" Quick Release	GEPTS15-A586-Q4			
24	Gear Case Assembly	GEA15-13-M37	47	Suspension Ball	GEP15-7L-365
25	Gear Case Assembly	GEA15-19-M37	48	Cable Tie	EE9-200
26	Gear Case Assembly	GEA15-32-M37	49	Guide Pin	GEA40-329-53

\* Not Illustrated.

\*\* If tool serial number is before A07F, order kit GEA40-K329 instead.

† Optional Part.

## QE4 Pistol Extended Spindle Trigger Start Attachment - Exploded View

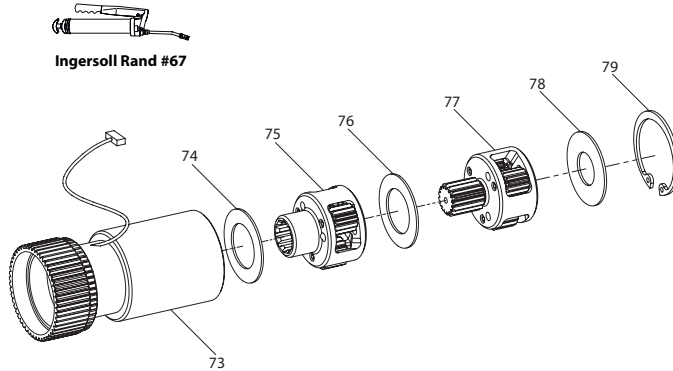


(Dwg. 16589087)

## QE4 Pistol Extended Spindle Trigger Start Attachment - Parts List

Item	Part Description	Part Number		
		15E1Q4	15E1S4	15E1S6
49	Spindle housing	15E2-580	15E2-580	15E2-580
50	Washer	120E4-105	120E4-105	120E4-105
51	Washer	120E4-106	120E4-106	120E4-106
52	Quick Change Spindle	15E2Q4-586	---	---
53	Square Drive Spindle - 1/4"	---	15E2S4-586	---
54	Square Drive Spindle - 3/8"	---	---	15E2S6-586
55	Ball	RX1-629	---	---
56	Sleeve	5C1-930-4	---	---
57	Spring	5C1-931-4	---	---
58	Spring Retainer	5C1-853	---	---
59	Retainer	---	---	5020-716
60	Spring	---	---	401-718
61	Retainer	---	500B-816AX	---
62	Spring	---	500B818	---
63	Washer	---	2U-817	---
64	Coupler	15E2-581	15E2-581	15E2-581
65	Needle Bearing	182-A53-606	182-A53-606	182-A53-606
66	Spacer	GEA15-591	GEA15-591	GEA15-591
67	Spring	15E2-626	15E2-626	15E2-626
68	Drive Spindle	15E2-584	15E2-584	15E2-584
69	Washer	120E4-106	120E4-106	120E4-106
70	Retaining Ring	FEA100-20	FEA100-20	FEA100-20
71	Bearing	8SA32-593	8SA32-593	8SA32-593
72	Bearing Cap	8SA32-531	8SA32-531	8SA32-531

## QE4 Pistol Transducer Gear Pack Assembly - Exploded View

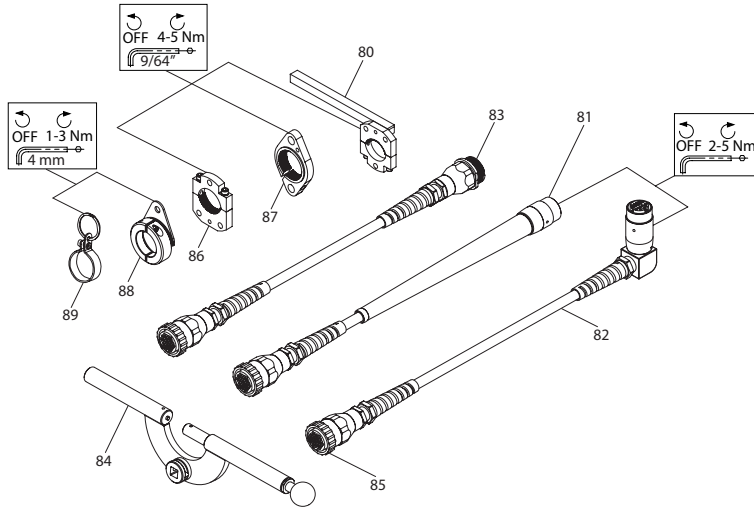


(Dwg. 16589095)

## QE4 Pistol Transducer Gear Pack Assembly - Parts List

Item	Part Description	QE4P{ }010{ }	QE4P{ }015{ }	QE4P{ }020{ }	QE4P{ }025{ }
		Part Number			
	Transducer Gear Pack Assembly	GEA15-13-M37	GEA15-19-M37	GEA15-25-M37	GEA15-32-M37
73	Transducer Assembly	GEA15-A756-15	GEA15-A756-15	GEA15-A756-15	GEA15-A756-15
74	Spacer	DEP30-80	DEP30-80	DEP30-80	DEP30-80
75	Spindle Assembly (2nd Stage)	DEP20-A8	DEP5-A8	DEP15-A8	DEP5-A8
76	Spacer	DEP30-80	DEP30-80	DEP30-80	DEP30-80
77	Spindle Assembly (1st Stage)	GEA15-A216	DEP9-A216	DEP25-A216	DEP30-A216
78	Spacer	DEP30-81	DEP30-81	DEP30-81	DEP30-81
79	Retaining Ring	W22-118	W22-118	W22-118	W22-118

## QE4 Pistol Accessories (Optional Parts) - Exploded View



(Dwg. 16589103)

## QE4 Pistol Accessories (Optional Parts) - Parts List

Item	Part Description	Part Number	Item	Part Description	Part Number
80	Reaction Bar Assembly	GEA15-K48	84	Spanner Wrench	GEA40-478
81	Power Cord Assembly (3 Meter)	GEA40-CORD-3M	85	Coupling Ring	GEA40-26F-12
	Power Cord Assembly (6 meter)	GEA40-CORD-6M	86	Mounting Plate Assembly	GEA4-K48
	Power Cord Assembly (10 meter)	GEA40-CORD-10M	87	Mounting Plate Assembly	15E4-k48
82	Power Cord Assembly, 90° (3 Meter)	GEA40-CORD-3M-90	88	Swivel Hanger kit	GEA15-K364
	Power Cord Assembly, 90° (6 Meter)	GEA40-CORD-6M-90	89	Tool Hanger Assembly	GEA15-A365
	Power Cord Assembly, 90° (10 meter)	GEA40-CORD-10M-90	*	Socket Tray Retaining Pin & Spring (for 3/8" and 1/2" square drives)	KIT-PFS
83	Power Cord Extension Assembly (10 Meter)	GEA40-EXT-10M	*	Socket Tray Retaining Pin & Spring (for 3/8" square drive only, Qty: 5 of each)	GEA15-38KIT-5
	Power Cord Extension Assembly (20 Meter)	GEA40-EXT-20M			
	Power Cord Extension Assembly (40 Meter)	GEA40-EXT-40M			

\* Not Illustrated.

## Packaging (Corrugated Box)

Packaging P/N	Description
BOX-261-6	Corrugated Box
FOAM-261-6	Foam

## Grease

Grease P/N	Description
67-4T	#67 Grease, 4 oz
67-1 LB	#67 Grease, 1 lb
67 8 LB	#67 Grease, 8 lb

---

## Suggested Tools List

Tool Used	Description	Where Used?
Spanner Wrench	<b>Ingersoll Rand</b> Part #GEA40-478	Coupling Nut
Pin Spanner Wrench	3 mm or 1/8" Pin	Cable
Adjustable Wrench	---	General Use
Torque Wrench	60 Nm capacity	General Use
Metric Allen Key Set	2 - 2.5 mm	General Use
Internal Snap Ring Pliers	---	General Use
Pick	---	O-Rings, Retainers etc.
Needle Nose Pliers	---	Accessing Connectors
Phillips Head Screw Driver	---	Trigger Screw

---

## Parts and Maintenance

When the life of the tool has expired, it is recommended that the tool be disassembled, degreased and parts be separated by material so that they can be recycled.

Tool repair and maintenance should only be carried out by an authorized Service Center.

Refer all communications to the nearest **Ingersoll Rand** Office or Distributor.

---

## Related Documentation

For additional information refer to:

Product Safety Information Manual 16573685.

Product Information Manual 80151590.

Maintenance Information Manual 80151624.

Manuals can be downloaded from [www.ingersollrandproducts.com](http://www.ingersollrandproducts.com)

[www.ingersollrandproducts.com](http://www.ingersollrandproducts.com)

© 2013 Ingersoll-Rand, plc

