



Cordless Screwdriver and Nutrunner

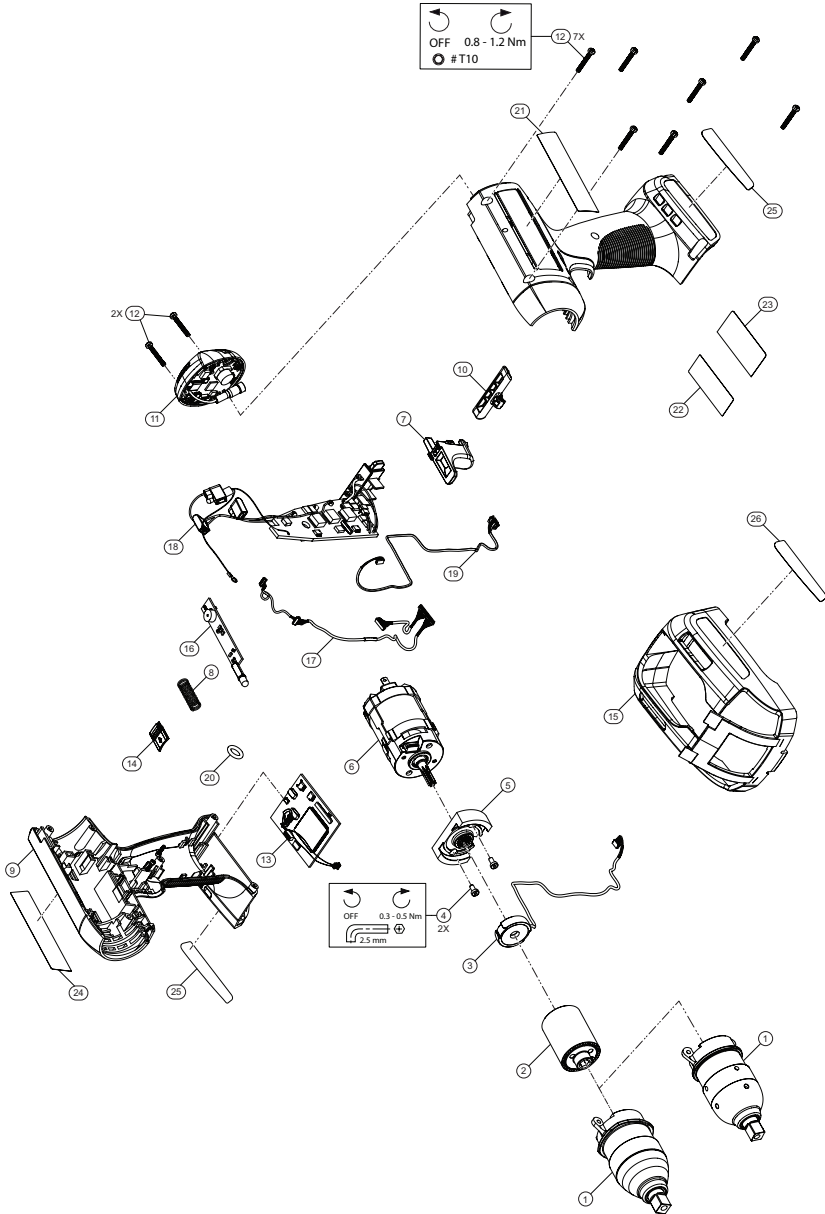
QX Connect Series

Parts Information



Save These Instructions

QX{ }2P{ } Housing Assembly - Exploded View



Use lithium-based, electrical contact grease with no particles for all electrical connections.

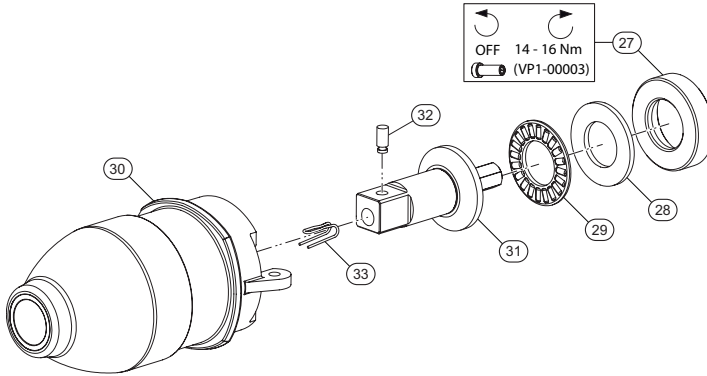
QX{ }2P{ } Housing Assembly - Parts List

Item	Part Description	Part Number (CCN)
1	Gear Case Assembly, 1/4" Quick Change	VP1-A8-Q4 (47103320)
	Gear Case Assembly, 1/4" Square Drive	VP1-A8-S4 (47103312)
	Gear Case Assembly, 3/8" Square Drive	VP1-A8-S6 (47104179)
	Gear Case Assembly, 1/4" Quick Change (for EU models only)	VP1-A8-AQ4
	Gear Case Assembly, 1/4" Square Drive (for EU models only)	VP1-A8-AS4
	Gear Case Assembly, 3/8" Square Drive (for EU models only)	VP1-A8-AS6
2	Gear Pack Assembly, QX{ }2PT004{ } Series	TA-VP1T-037-13P18
	Gear Pack Assembly, QX{ }2PT008{ } Series	TA-VP1T-037-17P1
	Gear Pack Assembly, QX{ }2PT012{ } Series	TA-VP1T-037-26P6
	Gear Pack Assembly, QX{ }2PT018{ } and QX{ }2PT024{ } Series	TA-VP1-2169-16C
3	Transducer Assembly, QX{ }2PT004{ }, QX{ }2PT008{ }, and QX{ }2PT012{ } Series	VP1-A756 (47107073)
	Transducer Assembly, QX{ }2PT018{ } and QX{ }2PT024{ } Series	VP1-A756-18 (47515463001)
4	Screw (M3 x 0.5), (2 required)	CPS2-667-735 (45589140)
5	Motor Mount	TP-VP1-108
6	Motor Assembly	TA-VP1-054
7	Trigger Assembly	TP-VP1-A093RD
8	Spring	VP1-726 (47088356)
9	Handle Assembly (both halves)	VP1-A59 (48394266)
10	Switch, F/R Assembly	TP-VP1-A075RD
**11	Back Cap Assembly, QX{ }D2P{ } Series	See Pistol Back Cap Table
	Back Cap Assembly, QX{ }N2P{ } Series	
	Back Cap Assembly, QXWD2P{ } Series	
*	Keypad	TP-VA1-070RD
*	OLED Display	VP1-888-C (47526666)
12	Screw (9 required)	VP1-105 (47111778)
13	Motor Controller Board, 20V QX{ }2PT004{ }, QX{ }2PT008{ }, QX{ }2PT012{ }, and QX{ }2PT018{ } Series	TA-VP1T-499-1
	Motor Controller Board, 40V QX{ }2PT024{ } Series	TA-VA2T-499-1
14	USB Cover	TP-VP1T-441RD
15	Retainer Battery, QX{ }2P{ }V{ } and QX{ }2P{ }H{ }	VP1-202V (47506474001)
16	PCB, Trigger and F/R	84737-A499-5 (47101332)
17	Internal Interface Cable	84737-CABLE-1 (47106117)
18	Power Board Assembly, 20V Pistol	TA-VP1T-499-3
19	Motor Hall Cable	84737-CABLE-2 (47106299)
20	O-Ring, PCB	VP1-282 (47104211)
21	Name Plate Label	TL-VP1T-301-P
22	Certification Label	TL-VP1T-300
23	Information Label	TL-VP1T-486
24	Warning Label, QX{ }2P{ }J{ }P and QX{ }2P{ }J{ }E{ } Series	TL-VP1T-099-P
	Warning Label, QX{ }2P{ }J{ }V and QX{ }2P{ }J{ }H{ } Series	TL-VP1T-099-V
25	Tool Foot Label, QX{ }2P{ }J{ }P{ } Series	TL-VP1T-099-3
	Tool Foot Label, QX{ }2P{ }J{ }E{ } Series	TL-VP1T-099-4
	Tool Foot Label, QX{ }2P{ }J{ }V{ } Series	TL-VP1T-099-1
	Tool Foot Label, QX{ }2P{ }J{ }H{ } Series	TL-VP1T-099-2
	Tool Foot Label, QXWD2P{ }J{ }P{ } Series	TL-VP1T-099-5
	Tool Foot Label, QXWD2P{ }J{ }E{ } Series	TL-VP1T-099-6
26	Retainer Foot Label, QX{ }2P{ }J{ }V and QX{ }2P{ }J{ }H{ } Series	VP1-99V-2 (47508447001)
*	IR # 69 Grease	VP1-11B (48413157)

* Indicates not illustrated.

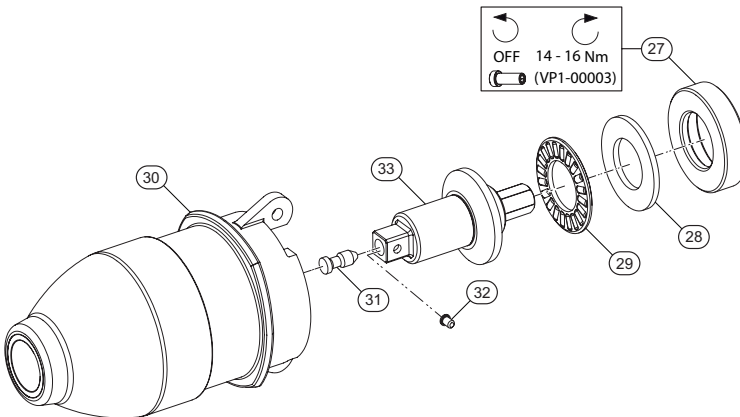
** Contact an **Ingersoll Rand** certified Service Center or your distributor to program this tool. All display assemblies are shipped in default mode and need to be programmed before use.

VP1-A8-S6 3/8" Square Gear Case Assembly QX{ }2PT{ }S06 Series



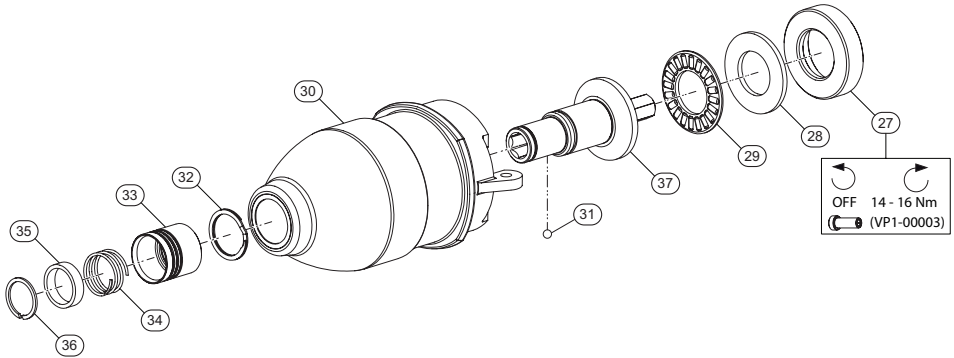
Item	Part Description	Part Number (CCN)
27	Nut	VP1-305 (47112230)
28	Thrust Washer	DAA6A-107 (04694006)
29	Thrust Bearing	R1610-105 (03119559)
30	Gear Housing Assembly	VP1-A40 (47103882)
31	Spindle, 3/8" Square	VP1-807-S6
32	Retainer	5020-716 (03046679)
33	Spring	401-718 (03060993)

VP1-A8-S4 1/4" Square Gear Case Assembly QX{ }2PT{ }S04 Series



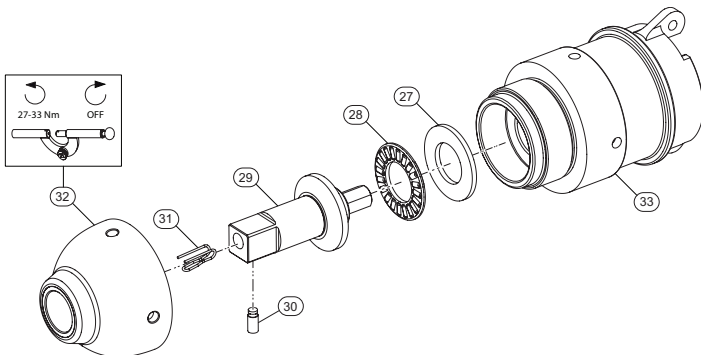
Item	Part Description	Part Number (CCN)
27	Nut	VP1-305 (47112230)
28	Thrust Washer	DAA6A-107 (04694006)
29	Thrust Bearing	R1610-105 (03119559)
30	Gear Housing Assembly	VP1-A40 (47103882)
31	Pin	47028 (04130266)
32	Insert (Rubber)	46749 (04124632)
33	Spindle, 1/4" Square	VP1-807-S4

VP1-A8-Q4 Quick Change Gear Case Assembly QX{ }2PT{ }04 Series



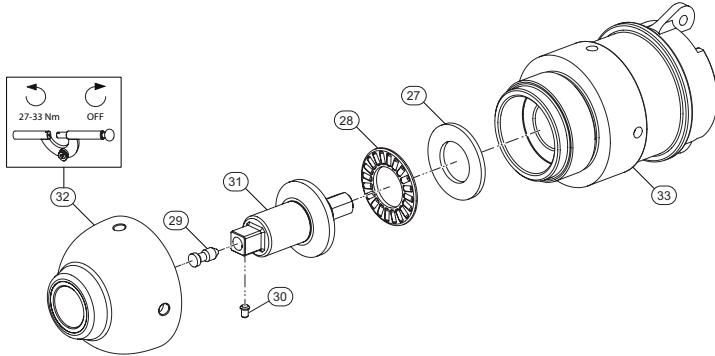
Item	Part Description	Part Number (CCN)
27	Nut	VP1-305 (47112230)
28	Thrust Washer	DAA6A-107 (04694006)
29	Thrust Bearing	R1610-105 (03119559)
30	Gear Housing Assembly	VP1-A40 (47103882)
31	Ball	R000B-263 (03095031)
32	Multi Turn Snap Ring	182A13-CXRSN50 (95994521)
33	Collar, Quick Change	CPS2-930 (45551827)
34	Spring	TRH-931 (04681615)
35	Spacer, Quick Change	CPS2-244 (45555125)
36	Retaining Ring	VP1-118 (47512717)
37	Spindle, Quick Connect	VP1-8-Q4 (47103346)

VP1-A8-AS6 3/8" Square Gear Case Assembly QX { }2PT{ }S06 - EU Series



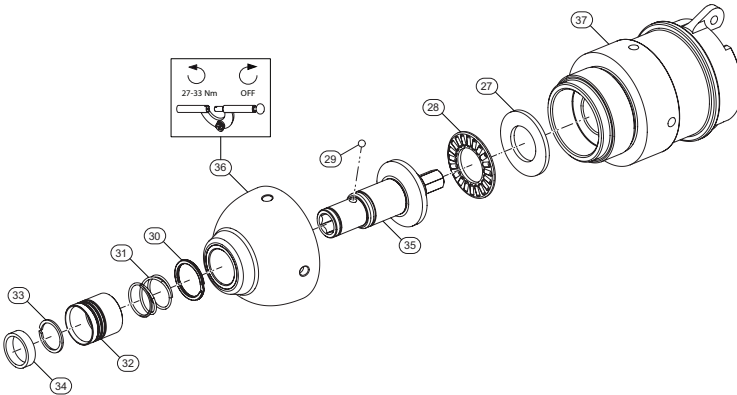
Item	Part Description	Part Number (CCN)
27	Thrust Washer	DAA6A-107 (04694006)
28	Thrust Bearing	R1610-105 (03119559)
29	Spindle, 3/8" Square	VP1-807-S6
30	Retainer	5020-716 (03046679)
31	Spring	401-718 (03060993)
32	Nose Piece Assembly	TA-VP1T-531-2
33	Gear Case	TP-VP1-037-2

VP1-A8-AS4 1/4" Square Gear Case Assembly QX { }2PT{ }S04 - EU Series

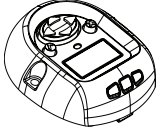
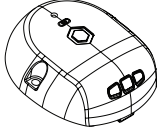


Item	Part Description	Part Number (CCN)
27	Thrust Washer	DAA6A-107 (04694006)
28	Thrust Bearing	R1610-105 (03119559)
29	Insert (Rubber)	46749 (04124632)
30	Pin	47028 (04130266)
31	Spindle, 1/4" Square	VP1-807-S4
32	Nose Piece Assembly	TA-VP1T-531-2
33	Gear Case	TP-VP1-037-2

VP1-A8-AQ4 Quick Change Gear Case Assembly QX { }2PT{ }Q04 - EU Series



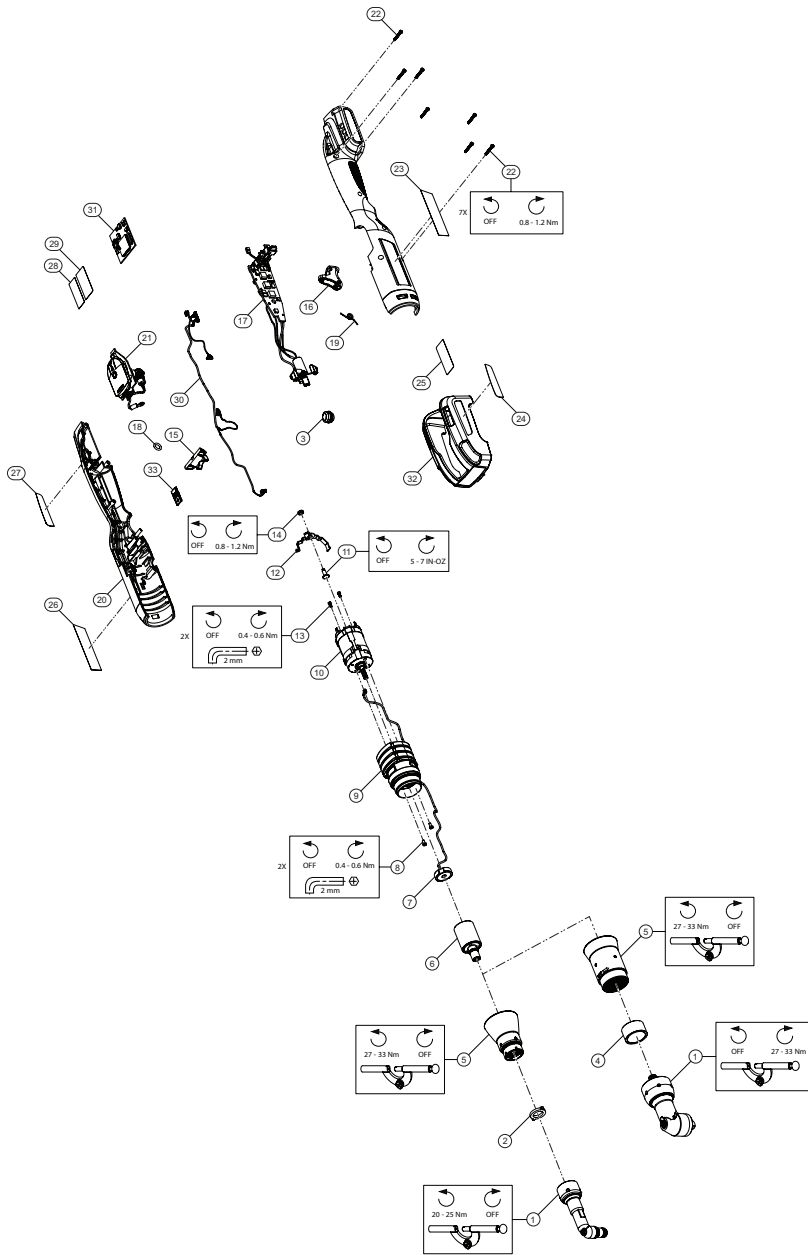
Item	Part Description	Part Number (CCN)
27	Thrust Washer	DAA6A-107 (04694006)
28	Thrust Bearing	R1610-105 (03119559)
29	Ball	R000B-263
30	Multi Turn Snap Ring	182A13CXRSN50 (95994521)
31	Spring	TRH-931 (04681615)
32	Collar, Quick Change	CPS2-930 (45551827)
33	Spacer, Quick Change	CPS2-244 (45555125)
34	Retaining Ring	VP1-118 (47512717)
35	Spindle Quick Connect	VP1-8-Q4 (47103346)
36	Nose Piece Assembly	TA-VP1T-531-2
37	Gear Case	TP-VP1-037-2

Back Cap Assembly - 20V Pistol			
CCN (Part Number)	Model Type	CCN (Part Number)	Model Type
QXXD2PT000P000	QXXD2P{ }P{ }	QXXN2PT000P000	QXXN2P{ }P{ }
QXXD2PT000E000	QXXD2P{ }E{ }	QXXN2PT000E000	QXXN2P{ }E{ }
QXBD2PT000P000	QXBD2P{ }P{ }	QXBN2PT000P000	QXBN2P{ }P{ }
QXBD2PT000E000	QXBD2P{ }E{ }	QXBN2PT000E000	QXBN2P{ }E{ }
QXFD2PT000P000	QXFD2P{ }P{ }	QXFN2PT000P000	QXFN2P{ }P{ }
QXFD2PT000E000	QXFD2P{ }E{ }	QXFN2PT000E000	QXFN2P{ }E{ }
QXWD2PT000P000	QXWD2P{ }P{ }	---	---
QXWD2PT000E000	QXWD2P{ }E{ }	---	---
			

Suggested Tools

Tool Used	Part Description	Where Used?
Torque Screwdriver	2 Nm capacity	Housing and Motor Mount Screws
T10 Torx Bit	---	Housing Screws
Allen Wrench	2 mm	Motor Mount Screws
Nylon Pick	---	O-Rings, Wires, etc.
Torque Wrench	3/8" Square Drive, 20 Nm capacity	Gear Case Housing Nut
Bearing Nut Tool	IR Part # VP1-00003 (47128921)	Gear Case Housing Nut

QX{ }2A{ } Housing Assembly - Exploded View



Use lithium-based, electrical contact grease with no particles for all electrical connections.

QX{ }2A{ } Housing Assembly - Parts List

Table 1

Item	Part Description	Part Number (CCN)	Item	Part Description	Part Number (CCN)
1	Angle Head Assembly	See Table 2	*	OLED Display	VP1-888-C (47526666)
2	Lock Spacer		22	Screw (7 required)	47111778
3	Plug, F/R Blank	VA1-556 (47522589001)	23	Name Plate Assembly	TA-VA1T-301-P
4	Spacer	See Table 2	24	Retainer Foot Label	VP1-99V-2 (47508447001)
5	Gear Case Assembly		25	Retainer Warning Label	VP1-99V (47506214001)
6	Gear Pack Assembly		26	Warning Label	TL-VA1T-099-V
7	Transducer Assembly			Warning Label	TL-VA1T-099-P
8	Screw		CPS2-667-735 (45589140)	27	Tool Foot Label, QX{ }2A{ }P
9	Motor Mount Assembly	VA1-A40Y	Tool Foot Label, QX{ }2A{ }E		TL-VP1T-099-4
10	Motor Assembly	TA-VP1-054	Tool Foot Label, QX{ }2A{ }V		TL-VP1T-099-1
11	Screw, Grub	VA1-78 (47507397001)	Tool Foot Label, QX{ }2A{ }H		TL-VP1T-099-2
12	Motor Mount Support	VA1-A28 (47504028001)	Tool Foot Label, QXWD2A{ }P{ }		TL-VP1T-099-5
13	Screw	4751446001	Tool Foot Label, QXWD2A{ }E{ }		TL-VP1T-099-6
14	Hex, Nut	19M4J57M3 (45638756)	28	Information Label	TL-VP1T-300
15	Button, F/R	TP-VA1-075RD	29	Certification Label	TL-VP1T-486
16	Trigger Assembly	TP-VA1T-093RD	30	Internal Interface Cable	VA1-505 (24471336)
17	Power Board Assembly	TA-VA1T-499-3	31	Motor Control Board	TA-VP1T-499-1
18	O-Ring, PCB	VP1-282 (47104211)	32	Battery Retention Device	VA1-202V (47521241001)
19	Spring	VA1-726 (24362386)	33	USB Cover	TP-VA1-441RD
20	Housing Assembly	VA1-A59 (4750731101)	*	IR # 69 Grease, 1lb	VP1-1LB (48413157)
**21	Back Cap Assembly, QX{ }D2A{ }	See 20V Angle Back Cap Table	*	IR # 67 Grease, 4oz	67-4T (04637336)
	Back Cap Assembly, QX{ }N2A{ }		*	IR # 67 Grease, 1lb	67-1LB
	Back Cap Assembly, QXWD2A{ }		*	IR # 67 Grease, 8lb	67-8LB
			Grease Tube Head (for QX Angle tools. Use with 4 Oz Grease Tube.)	GTH-1 (04616124)	
*	Keypad	TP-VA1-070RD			

* Indicates not illustrated.

** Contact an **Ingersoll Rand** certified Service Center or your distributor to program this tool. All display assemblies are shipped in default mode and need to be programmed before use.

QX{ }2A Attachment Components - Exploded View

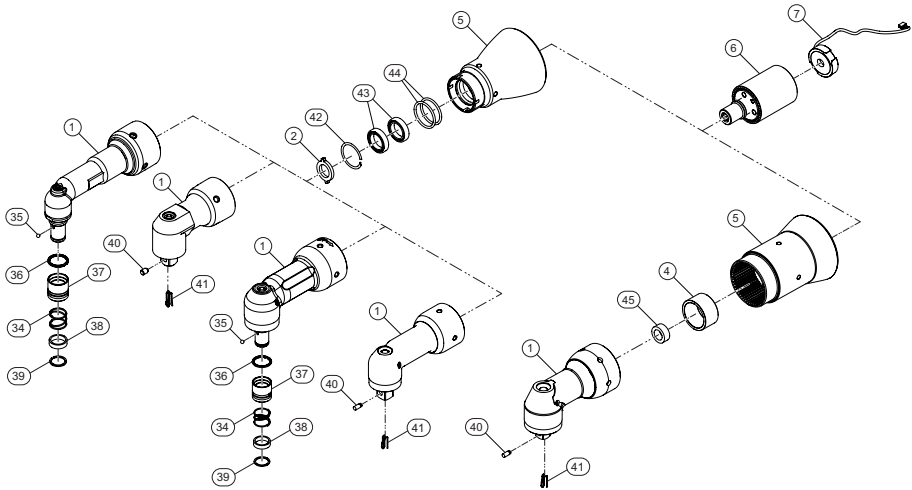
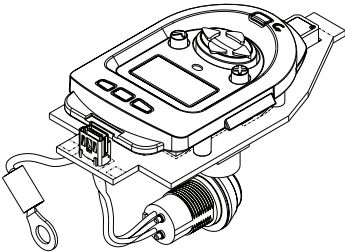
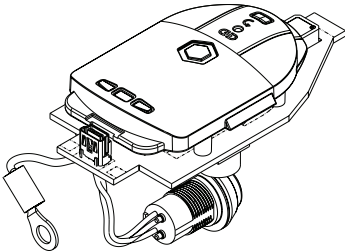


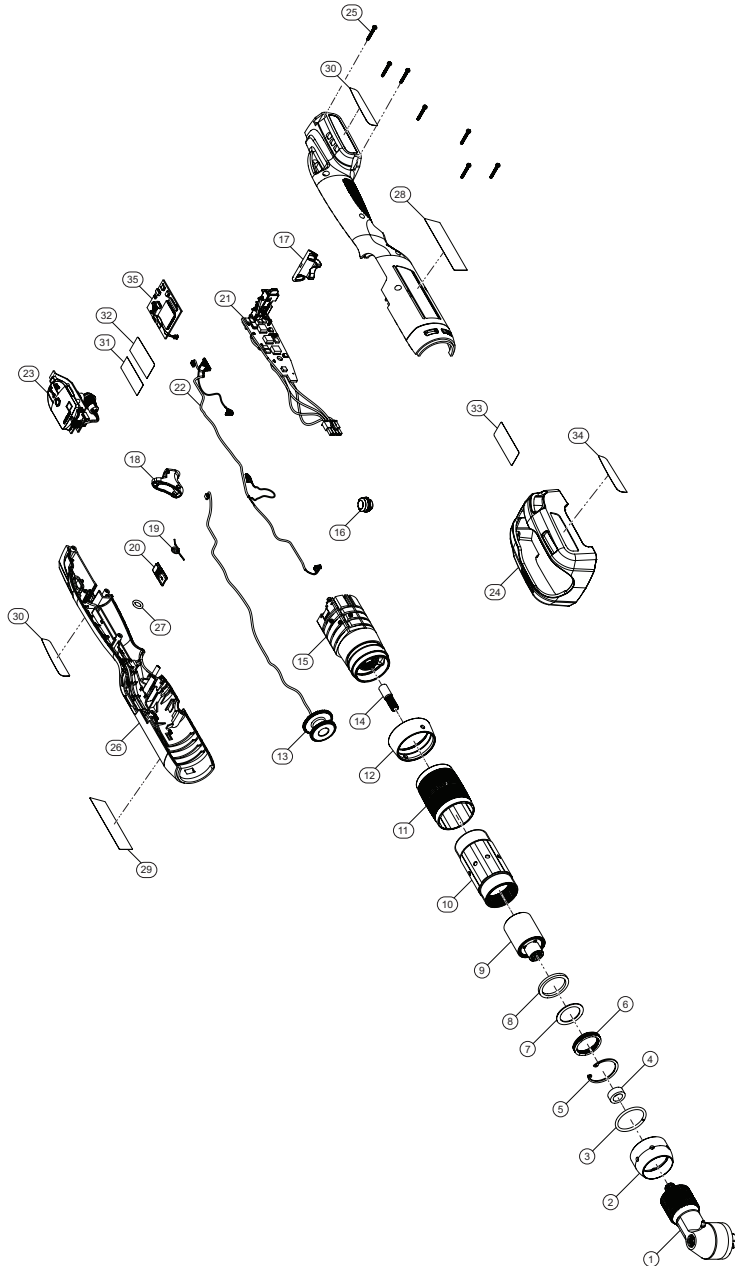
Table 2

Item	Part Description	Part Number (CCN)					
		QX{ }2A{ }027{ }S06	QX{ }2A{ }018{ }Q04	QX{ }2A{ }018{ }S06	QX{ }2A{ }015{ }S06	QX{ }2A{ }010{ }S06	QX{ }2A{ }005{ }Q04
1	Angle Head Assembly	GAA456K (47524190001)	CPS3Q4 (45601457)	CPS3S6 (45601432)	QAS-25-A550 (47152582)	QAS-25-A550 (47152582)	QAS-18-A550-SQ4 (48617062)
2	Lock Spacer	---	CPS3-682 (45592193)	CPS3-682 (45592193)	QAS-682 (47151170)	QAS-682 (47151170)	QAS-682 (47151170)
4	Spacer	VA1-80 (47515640001)	---	---	---	---	---
5	Gear Case Assembly	VA1-180-AL (47516176001)	VA1-A37-CP (24509523)	VA1-A37-CP (24509523)	VA1-A37-RS (24627010)	VA1-A37-RS (24627010)	VA1-A37-RS (24627010)
6	Gear Pack Assembly	TA-VA1T-037-39P7	TA-VA1T-037-26P6	TA-VA1T-037-26P6	TA-VA1T-037-26P6	TA-VA1T-037-17P1	TA-VA1T-037-13P18
7	Transducer Assembly	VA1-A756-27 (47515475001)	VA1-A756 (24358798)	VA1-A756 (24358798)	VA1-A756 (24358798)	VA1-A756 (24358798)	VA1-A756 (24358798)
34	Bit Retaining Spring	---	TRH-931 (04681615)	---	---	---	TRH-931 (04681615)
35	Bit Retaining Ball	---	R000B-263 (03095031)	---	---	---	R000B-263 (03095031)
36	Multi Turn Snap Ring	---	182A13-CXRSN50 (95994521)	---	---	---	182A13-CXRSN50 (95994521)
37	Collar, Quick Change	---	CPS2-930 (45551827)	---	---	---	CPS2-930 (45551827)
38	Spacer, Quick Change	---	CPS2-244 (45555125)	---	---	---	CPS2-244 (45555125)
39	Retaining Ring	---	VP1-118 (47512717)	---	---	---	VP1-118 (47512717)
40	Socket Retaining Pin	5020-716 (03046679)	---	5020-716 (03046679)	5020-716 (03046679)	5020-716 (03046679)	---
41	Socket Retaining Spring	401-718 (03060993)	---	401-718 (03060993)	401-718 (03060993)	401-718 (03060993)	---
42	Retaining Ring	---	184A13CXUR81 (96955059)	184A13CXUR81 (96955059)	184A13CXUR81 (96955059)	184A13CXUR81 (96955059)	184A13CXUR81 (96955059)
43	Bearing Spindle (2 required)	---	CPS2-22 (45552809)	CPS2-22 (45552809)	CPS2-22 (45552809)	CPS2-22 (45552809)	CPS2-22 (45552809)
44	O-Ring (2 required)	---	20A11CMC018 (96955042)	20A11CMC018 (96955042)	20A11CMC018 (96955042)	20A11CMC018 (96955042)	20A11CMC018 (96955042)
45	Spacer	GEA40-591 (80119605)	---	---	---	---	---

Back Cap Assembly - 20V Angle			
Part Number	Model Type	Part Number	Model Type
QXXD2AT000P000	QXXD2A{ }P{ }	QXXN2AT000P000	QXXN2A{ }P{ }
QXXD2AT000E000	QXXD2A{ }E{ }	QXXN2AT000E000	QXXN2A{ }E{ }
QXBD2AT000P000	QXBD2A{ }P{ }	QXBN2AT000P000	QXBN2A{ }E{ }
QXBD2AT000E000	QXBD2A{ }E{ }	QXBN2AT000E000	QXBN2A{ }P{ }
QXFD2AT000P000	QXFD2A{ }P{ }	QXFN2AT000P000	QXFN2A{ }P{ }
QXFD2AT000E000	QXFD2A{ }E{ }	QXFN2AT000E000	QXFN2A{ }E{ }
QXWD2AT000P000	QXWD2A{ }P{ }	---	---
QXWD2AT000E000	QXWD2A{ }E{ }	---	---

QX{ }5A{ } Housing Assembly - Exploded View



Use lithium-based, electrical contact grease with no particles for all electrical connections.

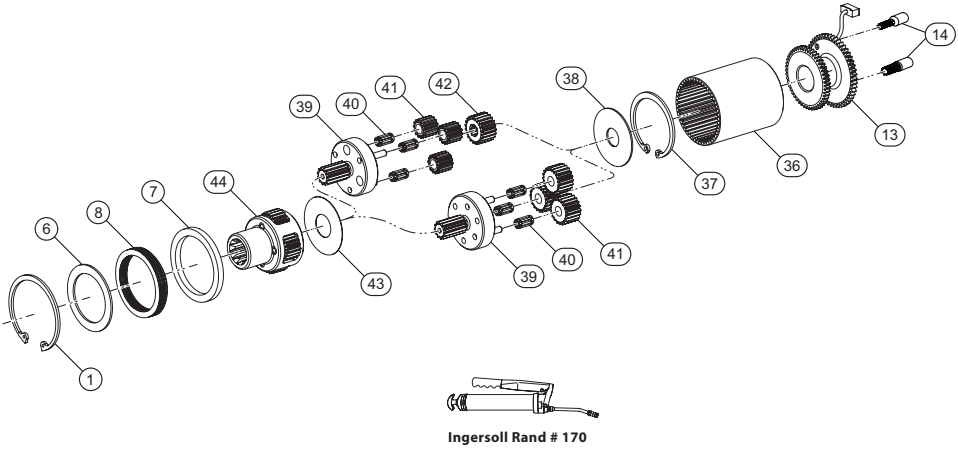
QX{ }5A{ } Housing Assembly - Parts List

Item	Part Description	Part Number (CCN)	Item	Part Description	Part Number (CCN)
1	Angle Head Assembly: QX{ }5A{ }020 and QX{ }5A{ }030	GAA2S6-H (47527606001)	21	Power Board Assembly	TA-VA2T-499-3
	Angle Head Assembly: QX{ }5A{ }35{ }508	GAA4S8-H (47527607001)	22	Internal Interface Cable	VA1-505 (24471336)
	Angle Head Assembly: QX{ }5A{ }035{ }506	GAA4S6-H (47527608001)	**23	Back Cap Assembly: QX{ }D5A{ }	See 40V Angle Back Cap Table
	Angle Head Assembly: QX{ }5A{ }040 and QX{ }5A{ }080	GAA5S8-H (47527609001)		Back Cap Assembly: QX{ }N5A{ }	
2	Coupling Nut	GEA40-27 (22041180)	*	Keypad	
3	Coupling Nut Retainer	DAA4-29 (04341368)	*	OLED Display	VP1-888-C (47526666)
4	Spacer	GEA40-591 (80119605)	24	Battery Retainer Device	VA1-220V (47521241001)
5	Retaining Ring	W64-118 (03084266)	25	Screw	VP1-105 (47111778)
6	WSHR-Gear Retainer	DEM40-81 (04569752)	26	Housing Assembly	VA2-A59 (47518205001)
7	Seal, Grease	GEA40-248 (80106958)	27	O-Ring, PCB	VP1-282 (47104211)
8	Spring, Wave (1.375 O.D)	GEA40-250 (80106982)	28	Name Plate Label	TL-VA1T-301-P
9	Gear Pack Assembly: QX{ }5A{ }020	GEA40-17-M37 (22038186)	29	Warning Label: QX{ }5A{ }JV	TL-VA1T-099-V
	Gear Pack Assembly: QX{ }5A{ }030	GEA40-22-M37 (22038178)		Warning Label: QX{ }5A{ }JP	TL-VA1T-099-P
	Gear Pack Assembly: QX{ }5A{ }035 and QX{ }5A{ }040	GEA40-28-M37 (22038160)	30	Tool Foot Table, QX{ }5A{ }JV	TL-VP1T-099-1
	Gear Pack Assembly: QX{ }5A{ }080	GEA40-40-M37 (22036503)		Tool Foot Table, QX{ }5A{ }JH	TL-VP1T-099-2
10	Gear Case Viper HT	---		Tool Foot Table, QX{ }5A{ }JP	TL-VP1T-099-3
11	Sleeve, Gear Case	VA2-145 (47511179001)		Tool Foot Table, QX{ }5A{ }JE	TL-VP1T-099-4
12	Cover, Motor Mount	VA2-427 (47511904001)	Tool Foot Table, QXW5A{ }JP	TL-VP1T-099-5	
13	Transducer Assembly	VA2-A756 (47518495001)	Tool Foot Table, QXW5A{ }JE	TL-VP1T-099-6	
*	K7 Motor Assembly: { }20PS06, { }30PS06, { }30PS08, { }60PS08, and { }80PS08	VA2-K53-7 (47539541001)	31	Certification Label	TL-VP1T-300
	K11 Motor Assembly: { }35PS06, { }35PS08, and { }40PS08	VA2-K53-11 (47539540001)	32	Information Label	TL-VP1T-486
14	Pinion	---	33	Warning Label	VP1-99V (47506214001)
15	Motor Assembly	---	34	Battery Holder Label	VP1-99V-2 (47508447001)
16	Plug, F/R Blank	VA1-556 (47522589001)	35	Motor Controller Board	TA-VA2T-499-1
17	Button F/R Assembly	TP-VA1-075RD	*	IR # 67 Grease, 4 oz	67-4T
18	Trigger Assembly	TP-VA1-093RD	*	IR # 67 Grease, 1 lb	67-1 LB
19	Spring, Torsional	VA1-726 (24362386)	*	IR # 67 Grease, 8 lb	67 8 LB
20	USB Cover	TP-VA1-441RD	*	Grease Tube Head (for QX{ }5A{ } Angle Tools. Use with 4 Oz Grease Tube.)	GTH-1 (04616124)
			*	IR # 170 Grease, 1 lb	170-1LB
			*	IR # 170 Grease, 8 lb	170-8LB

* Indicates not illustrated.

** Contact an **Ingersoll Rand** certified Service Center or your distributor to program this tool. All display assemblies are shipped in default mode and need to be programmed before use.

QX{ }5A Transducer Assembly and Gearing Components - Exploded View

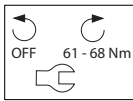


QX{ }5A Transducer Assembly and Gearing Components - Parts List

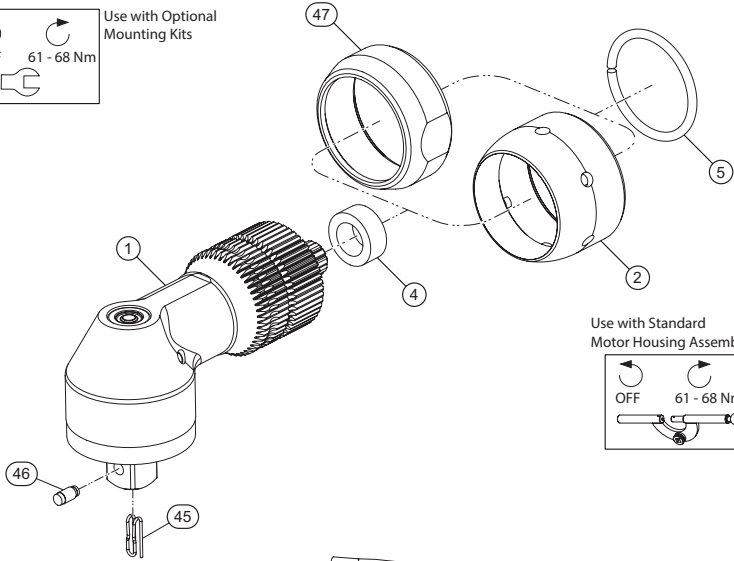
Item	Part Description	Part Number (CCN)			
		QX{ }60P508 & QX{ }80P508	QX{ }40P508, QX{ }35P508, & QX{ }35P506	QX{ }30P508 & QX{ }30P506	QX{ }20P506
14	Pinion	---	---	---	---
13	Transducer Assembly	VA2-A756 (47518495001)	VA2-A756 (47518495001)	VA2-A756 (47518495001)	VA2-A756 (47518495001)
9	Gear Pack Assembly	GEA40-40-M37 (22036503)	GEA40-28-M37 (22038160)	GEA40-22-M37 (22038178)	GEA40-17-M37 (22038186)
36	Ring Gear	GEA40-406 (22038079)	GEA40-406 (22038079)	GEA40-406 (22038079)	GEA40-406 (22038079)
37	Retaining Ring	4E-118 (03079738)	4E-118 (03079738)	4E-118 (03079738)	4E-118 (03079738)
38	Spacer, Rear	GEA40-81 (22036495)	GEA40-81 (22036495)	GEA40-81 (22036495)	GEA40-81 (22036495)
39	Gearhead Assembly (1st stage)	GEA40-A216-20 (22038004)	GEA40-A216-19 (80096126)	GEA40-A216-17 (80096142)	GEA40-A216-14 (80096050)
*	Gearhead	---	---	---	---
*	Planet Pin	---	---	---	---
40	Needle Bearing (1st)	6WTM-500 (03800299)	DAA40-500 (04008108)	6WTM-500 (03800299)	6WTM-500 (03800299)
41	Planet Gear (1st)	4RLL-10 (03822962)	DEA31-10 (04282158)	4RLN-10 (03822988)	GEA40-10-14 (80098064)
42	Sun Gear (1st)	---	---	DAA25-17 (04008140)	GEA40-17-21 (22039317)
43	Spacer	GEA40-80 (22041883)	GEA40-80 (22041883)	GEA40-80 (22041883)	GEA40-80 (22041883)
44	Spindle Assembly (2nd stage)	GEA40-A8-18 (22038145)	GEA40-A8-18 (22038145)	GEA40-A8-18 (22038145)	GEA40-A8-18 (22038145)
*	Spindle	---	---	---	---
*	Planet Pin	---	---	---	---
*	Planet Gear (2nd)	---	---	---	---
*	Planet Bearing (2nd)	---	---	---	---
7	Grease Seal	GEA40-248 (80106958)	GEA40-248 (80106958)	GEA40-248 (80106958)	GEA40-248 (80106958)
8	Wave Spring	GEA40-250 (80106982)	GEA40-250 (80106982)	GEA40-250 (80106982)	GEA40-250 (80106982)
6	Retainer Washer	DEM40-81 (04569752)	DEM40-81 (04569752)	DEM40-81 (04569752)	DEM40-81 (04569752)
1	Retaining Ring	W64-118 (03084266)	W64-118 (03084266)	W64-118 (03084266)	W64-118 (03084266)

* Item included as part of sub-assembly.

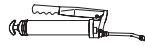
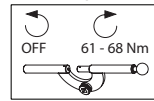
QX{ }5A Angle Assembly Attachment - Exploded View



Use with Optional Mounting Kits



Use with Standard Motor Housing Assemblies

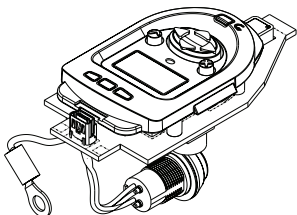
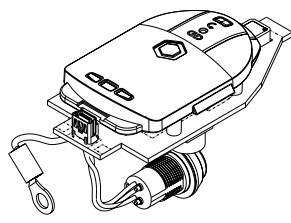


Ingersoll Rand # 67

QX{ }5A Angle Head Assembly - Parts List

Item	Part Description	Part Number (CCN)			
		QX{ }80PS08, QX{ }60PS08 & QX{ }40PS08	QX{ }35PS08 & QX{ }30PS08	QX{ }35PS06	QX{ }20PS06 & QX{ }30PS06
1	Angle Assembly Attachment	GAA5S8-H (47527609001)	GAA4S8-H (47527607001)	GAA4S6-H (47527608001)	GAA2S6-H (47527606001)
45	Socket, Retaining Spring	5UHD-718 (03072766)	5UHD-718 (03072766)	401-718 (03060993)	401-718 (03060993)
46	Socket, Retaining Pin	804-716 (03064201)	804-716 (03064201)	5020-716 (03046679)	5020-716 (03046679)
4	Spacer	GEA40-591 (80119605)	GEA40-591 (80119605)	GEA40-591 (80119605)	GEA40-591 (80119605)
2	Coupling Nut, Long (with holes)	GEA40-27 (22041180)	GEA40-27 (22041180)	GEA40-27 (22041180)	GEA40-27 (22041180)
47	Coupling Nut, Short (with flats)	DAA4-27 (04341285)	DAA4-27 (04341285)	DAA4-27 (04341285)	DAA4-27 (04341285)
5	Retainer	DAA4-29 (04341368)	DAA4-29 (04341368)	DAA4-29 (04341368)	DAA4-29 (04341368)

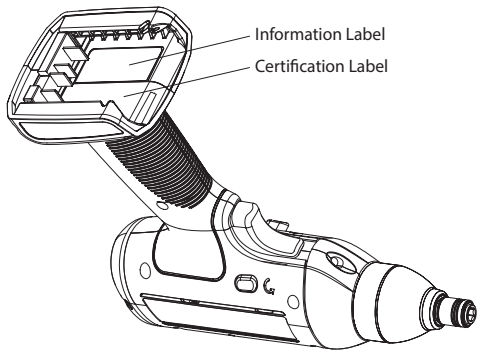
Back Cap Assembly - 40V Angle			
Part Number	Model Type	Part number	Model Type
QXXD5AT000P000	QXXD5A{ }P{ }	QXXN5AT000P000	QXXN5A{ }P{ }
QXXD5AT000E000	QXXD5A{ }E{ }	QXXN5AT000E000	QXXN5A{ }E{ }
QXBD5AT000P000	QXBD5A{ }P{ }	QXBN5AT000P000	QXBN5A{ }E{ }
QXBD5AT000E000	QXBD5A{ }E{ }	QXBN5AT000E000	QXBN5A{ }P{ }
QXFD5AT000P000	QXFD5A{ }P{ }	QXFN5AT000P000	QXFN5A{ }P{ }
QXFD5AT000E000	QXFD5A{ }E{ }	QXFN5AT000E000	QXFN5A{ }E{ }
QXWD5AT000P000	QXWD5A{ }P{ }	---	---
QXWD5AT000E000	QXWD5A{ }E{ }	---	---

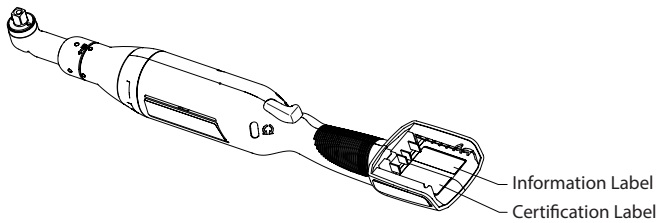
QX{ }5A Suggested Tools

Tool Used	Part Description	Where Used?
Spanner Wrench	IR Part # GEA40-478 (80114440)	Coupling Nut
Torque Wrench	1/2" Square Drive, 50 ft-lb capacity	General use
Adjustable Wrench	---	Coupling Nut (with flats)
Internal Snap Ring Pliers	---	General use
Pick	---	O-Rings, Wires, etc.
T10 Torx Bit	---	Housing Screws

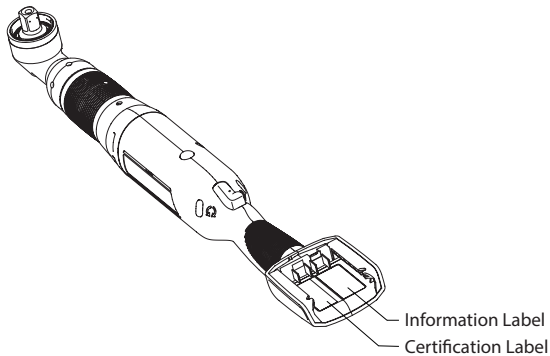
Tool Assembly



QX{ }2P



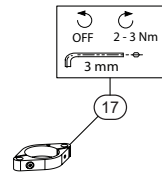
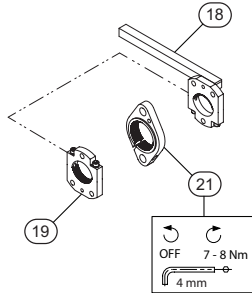
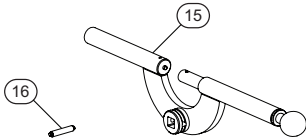
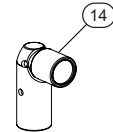
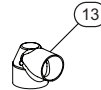
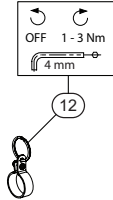
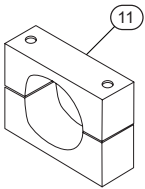
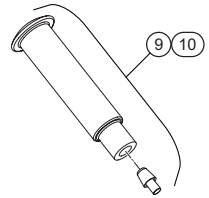
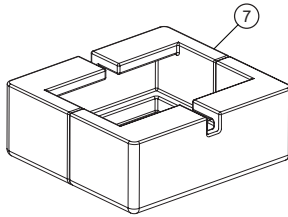
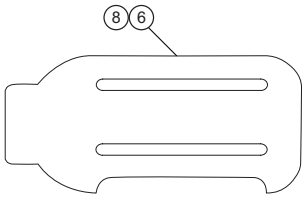
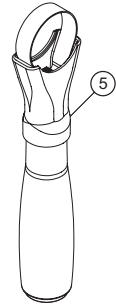
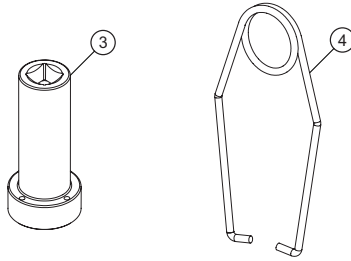
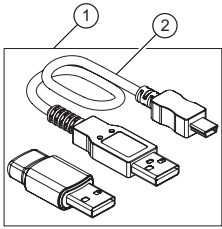
QX{ }2A



QX{ }5A

Part Description	Part Number (CCN)
Information Label	TL-VP1T-486
Certification Label	TL-VP1T-300

QX Accessories (Optional)



QX Accessories (Optional) - Parts List

Item	Part Description	Part Number (CCN)
1	Communication Kit (USB Cable & ICS Software)	84737-COMM-KIT (48414460)
2	USB Cable	84737-CABLE-USB (48412613)
*3	Bearing Nut Tool	VP1-00003 (47128921)
*4	Suspension Bail	VP1-365 (48382147)
*5	Auxiliary Handle	VP1-A48 (47107263)
*6	Motor Unit Kit	VP1-K40
*7	Gear Case Holding Fixture (use with Bearing Nut Tool, VP1-00003)	VP1-A00004 (47603377001)
**8	Tool Boot with Covered Display (Red)	VP1-BOOT-NP (47498430)
	Tool Boot with Open Display (White)	VP1-WT-BOOT (47557360001)
	Tool Boot with Open Display (Red)	VP1-BOOT (48411292)
*9	Retaining Ring Tool (for VP1-118)	VP1-00001 (47126982)
*10	Retaining Ring Tool (for 182A13-CXR5N50)	VP1-00002 (47128889)
**11	Holder	VA1-239 (47526047)
**12	Tool Hanger Assembly for Models { }005P{ }, { }010P{ }, { }015P{ }, and { }018P{ }	CPS2-A365 (45592979)
	for Models { }020P{ }, { }027P{ }, { }030P{ }, { }035P{ }, { }040P{ }, { }060P{ }, and { }080P{ }	GEA40-A365 (45567849)
**13	Angle Head Sleeve for Models { }018P{ } and { }020P{ }	GEA40-170 (80095847)
	for Models { }027P{ }, { }030P{ }, and { }035P{ }	GEA40-171 (80095888)
	for Models { }040P{ }, { }060P{ }, and { }080P{ }	GEA40-172 (80095409)
**14	Extended Boot	
+	for Model { }005P{ }	VA1-R18-170 (47526045)
+	for Models { }010P{ } and { }015P{ }	VA1-R25-170 (47526046)
	for Models { }018P{ } and { }020P{ }	GAA2-170 (80199557)
	for Models { }027P{ }, { }030P{ }, and { }035P{ }	GAAA-170 (80199052)
	for Models { }040P{ }, { }060P{ }, and { }080P{ }	GAA5-170 (80199656)
**15	Spanner Wrench for Tool Series { }2A{ }	CPS2-478 (45611563)
	for Tool Series { }5A{ }	GEA40-478 (80114440)
**16	Dowel Pin for Spanner Wrench CPS2-478	CPS2-478L (45611639)
	for Spanner Wrench GEA40-478	GEA40-478S (80114689)
*17	Clamp Fixture (for Models { }005P{ }, { }010P{ }, { }015P{ }, and { }018P{ })	CPS2-K48 (45626546)
**^18	Reaction Bar Assembly	DEA120-K48 (04642369)
**^19	Mounting Plate Assembly	DAM120-K48 (04340535)
**^21	Mounting Plate Assembly (flanged)	GEM120-K48 (80112790)
†	Socket Tray Retaining Pin & Spring (for 3/8" and 1/2" Square Drive)	KIT-PFS (45567997)
†	Socket Tray Retaining Pin & Spring (for 3/8" Square Drive only, Quantity: 5 of each)	GEA15-38KIT-5 (45612033)
†	Socket Tray Retaining Pin & Spring (for 1/2" Square Drive only, Quantity: 5 of each)	GEA40-38KIT-5 (45612041)

* QX Pistol Tool Series { }2P{ } accessory only.

** QX Angle Tool Series { }2A{ } and { }5A{ } accessories only.

^ For QX { }5A{ } Series and QX { }27P{ } models using coupling nut DAA4-27.

+ For these models, extended boot may be trimmed to fit standard angle heads.

Additional colors available upon request. Refer all communication to the nearest **Ingersoll Rand** office or distributor.

† Indicates not illustrated.

Parts and Maintenance

Use lithium-based, electrical contact grease with no particles for all electrical connections.

When tool life has expired, it is recommended that the tool be disassembled, degreased and parts separated by material for proper recycling.

Tool repair and maintenance should only be carried out by an Authorized Service Center.

Refer all communications to the nearest **Ingersoll Rand** office or distributor.

Related Documentation

Manuals can be downloaded from ingersollrand.com

For additional information, refer to:

Product Safety Information Manual TL-VP1T-SIM and TL-VP1T-SIMV

Product Information Manual TL-VP1T-PIM

Maintenance Information Manual TL-VP1T-MIM

CE-Declaration of Conformity TL-VP1T-DOC

UK-Declaration of Conformity TL-VP1T-DOC-UK

[ingersollrand.com](https://www.ingersollrand.com)

© 2024 *Ingersoll Rand*

