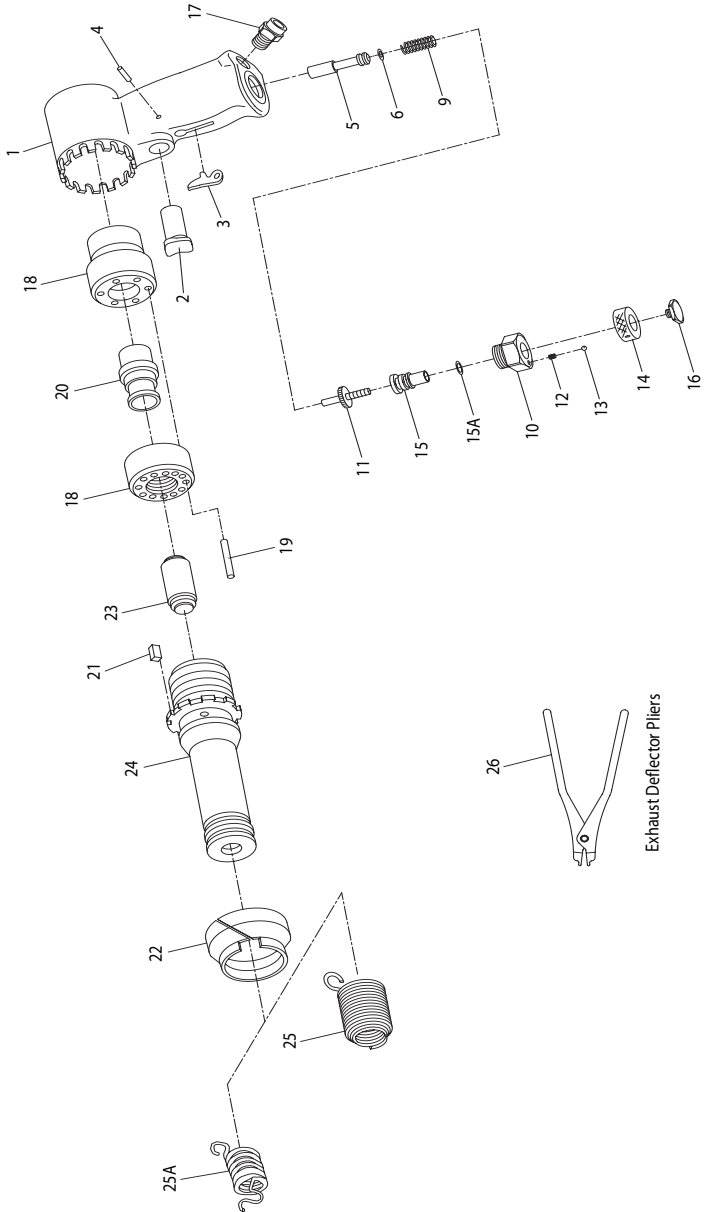


132 Model Air Percussive Hammer Exploded Diagram



(Dwg. TPA650-3)



132 Model Air Percussive Hammer Parts List

Item	Part Description	Part Number	Item	Part Description	Part Number
1	Offset Handle with Built-in Power Regulator	MC132-A59A	18	Valve Box Assembly	AV11-A4
			19	Dowel Pin	AV11-32
*	Warning Label	WARNING-6-99	20	Valve	AV11-2
2	Trigger	AV1-93A		.002" Oversize	AV11-2-20
3	Intermediate Lever	AV1-56	21	Locking Key	AV11-34
4	Intermediate Lever Pin	LG2-191	22	Exhaust Deflector	AV11-85
5	Throttle Valve Assembly	AVC10-A302	23	Piston	AV12-5
6	Throttle Valve Seal	401-159	24	Barrel	MC132-6
9	Throttle Valve Spring	H80-11		Tool Retainer	
	Throttle Adjuster Assembly	AV1-A250	25	Safety type	AVC1-83
10	Throttle Adjuster Body	AV1-250	25A	Quick-Change type	AVC10-183A
11	Throttle Adjuster Screw	AV1-252	26	Exhaust Deflector Pliers	34SR-54
12	Throttle Adjuster Stop Spring	AV1-256	*	Hose Whip (8 ft. of 5/16" [8 mm] hose)	R0-130
13	Throttle Adjuster Stop Ball (1/8" diameter Steel Ball)	AV1-255	*	Male Hose Nipple (5/16" hose to 1/4" male pipe)	AV1-46
14	Throttle Adjuster Knob	AV1-251	*	Female Hose Nipple (5/16" hose to 3/8" female pipe)	R1-47
15	Throttle Adjuster Sleeve	AV1-253			
15A	Throttle Adjuster Sleeve Seal	R0BR1C-283	*	Independent Power Regulator Assembly	AV11-A915
16	Throttle Adjuster Cap Screw	AV1-254			
17	Air Inlet Bushing	N00-82			

* Not illustrated.

Parts and Maintenance

When the life of the tool has expired, it is recommended that the tool be disassembled, degreased and parts be separated by material so that they can be recycled.

Tool repair and maintenance should only be carried out by an authorized Service Center.

Refer all communications to the nearest **Ingersoll Rand** Office or Distributor.

Related Documentation

For additional information refer to:

Air Percussive Tool Product Safety Information Manual 04581450.

Air Percussive Hammer Product Information Manual 03528072.

Air Percussive Hammer Maintenance Information Manual 16605883.

Manuals can be downloaded from ingersollrandproducts.com