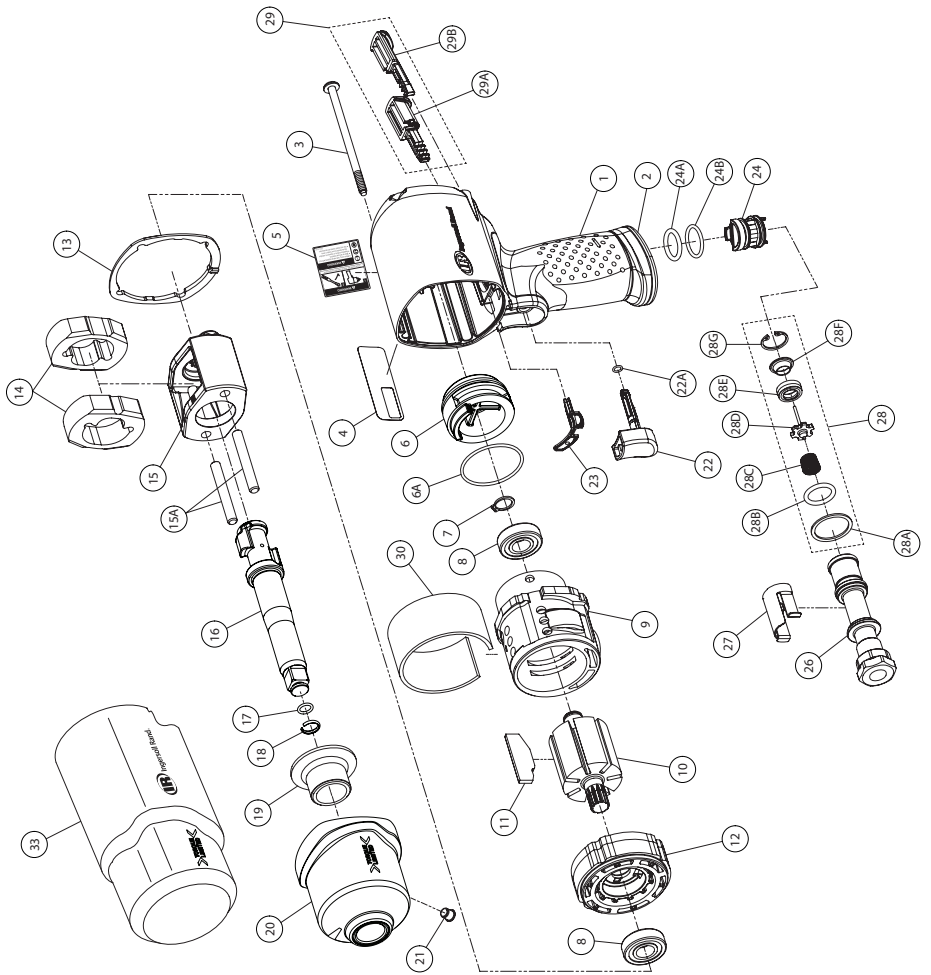


# 2135QTL-2, 1/2" Impact Wrench, Torque Limited - Exploded View



(Dwg. 2135QTL-2)



## 2135QTL-2, 1/2" Impact Wrench, Torque Limited - Parts List

Item	Part Description	Part Number	(CCN)	Item	Part Description	Part Number	(CCN)
* 1	Housing Assembly	2135QTL-2-A40	(2135QTL-2-A40)	†*	Trigger Assembly	2135-D93B	(80128333)
1	Housing	---	---	22	Trigger	---	---
2	Exhaust Deflector	---	---	22A	O-Ring, Trigger	---	---
4	Information Label	---	---	†23	Gasket	2131-283	(04167623)
5	Warning Label	---	---	*	Reverse Valve Assembly	2131-A329	(04167896)
23	Gasket	---	---	24	Reverse Valve	---	---
24	Reverse Valve Assembly	---	---	24A	O-Ring, Reverse Valve (Top-Black)	---	---
29	Button Kit	---	---	24B	O-Ring, Reverse Valve (Bottom-Blue)	---	---
3	Screw, Hammer Case (4 required)	2135-638	(80101686)	*	Inlet Bushing Assembly	2135-D565A	(45531787)
4	Information Label	2135QTL-2-300	(2135QTL-2-300)	26	Inlet Bushing	---	---
5	Warning Label	231TL-2-137	(80198260)	27	Inlet Clip	2131-57	(04167862)
*	Power Regulator Assembly	2135QTL-2-D249A	(2135QTL-2-D249A)	28	Inlet Parts Kit	2135-K303	(45535051)
6	Power Regulator	---	---	28A	Washer	---	---
6A	O-Ring, Power Regulator	---	---	28B	O-Ring, Seal	---	---
7	Retaining Ring	2131-6	(04194809)	28C	Throttle Spring	---	---
8	Ball Bearing (2 required)	2131-97	(04172813)	28D	Throttle Valve	---	---
9	Cylinder	2135QTL-3	(2135QTL-3)	28E	Valve Seat	---	---
10	Rotor	2135-53	(80100456)	28F	Seat Support	---	---
†11	Vane Pack (set of 7)	2135-42A-7	(04722211)	28G	Retainer	---	---
12	End Plate	2131-11	(04167581)	29	Button Kit	2135-K75	(04722245)
†13	Hammer Case Gasket	2135-36B	(80127426)	29A	Forward Button	---	---
*	Hammer Kit	2135-2-THK1	(80119662)	29B	Reverse Button	---	---
13	Hammer Case Gasket	---	---	30	Exhaust Silencer	2131QT-311	(22040216)
14	Hammer (2)	---	---	*	Tune-Up Kit	2135-TK2	(45535028)
15A	Hammer Pin (2)	---	---	6A	O-Ring, Power Regulator	---	---
*	Anvil Assembly	---	---	7	Retaining Ring	---	---
*	Kit Grease	---	---	8	Ball Bearing (2)	---	---
*	Hammer Frame Assembly Kit	2135-K703	(80119795)	11	Vane Pack (Set of 7)	---	---
15	Hammer Frame	---	---	13	Hammer Case Gasket	---	---
15A	Hammer Pin (2)	---	---	17	O-Ring, Anvil	---	---
*	Kit Grease	---	---	18	Retaining Ring	---	---
*	Anvil Assembly	231B-A414	(04682167)	22A	O-Ring, Trigger	---	---
16	Anvil	---	---	23	Gasket	---	---
17	O-Ring, Anvil	---	---	24A	O-Ring, Reverse Valve (Top-Black)	---	---
18	Socket Retainer	---	---	24B	O-Ring, Reverse Valve (Bottom-Blue)	---	---
†*	Socket Retainer Kit	2125QT-K425	(80107733)	28	Inlet Parts Kit	---	---
17	O-Ring, Anvil	---	---	*	Inlet Clip Removal Tool	2131-322	(04263745)
18	Socket Retainer	---	---	†*	Air Care Kit (grease gun, grease, oil)	115-LBK1	(04616108)
*	Hammer Case Assembly	2135QTL-2-D727	(2135QTL-2-D727)	*	Grease (replacement tube for - LBK1)	115-4T	(04616157)
19	Bushing, Hammer Case	2135-941	(80092927)	*	Air Tool Oil (4 oz. Bottle)	10Z4	(03875671)
20	Hammer Case	---	---	*	Grease (1 lb can)	105-1LB	(04279147)
21	Grease Fitting	1305R-188	(03039930)	*	Grease (8 lb can)	105-8LB	(04264875)
				*	Grease Gun	R000A2-228	(03095015)
				33	Protective Tool Boot	2350XPTL-BOOT	(47531751001)

\* Indicates Not illustrated.

† Indicates common-wear parts. Maintain stock to reduce downtime.

### Parts and Maintenance

When tool life has expired, it is recommended that the tool be disassembled, degreased and parts separated by material for proper recycling. Tool repair and maintenance should only be carried out by an authorized Service Center.

Refer all communications to the nearest **Ingersoll Rand** office or distributor.

### Related Documentation

Manuals can be downloaded from [ingersollrandproducts.com](http://ingersollrandproducts.com)

For additional information refer to:

Product Safety Information Manual 45528239.

Product Information Manual 47602898.



ingersollrandproducts.com  
© 2017 Ingersoll Rand

47587379001  
Edition 2  
March 2017