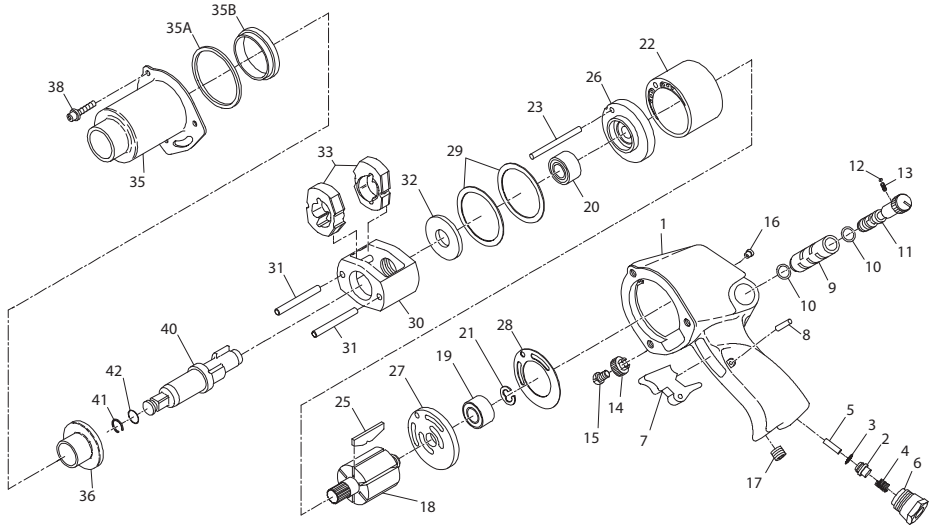


232TGSL Air Impact Wrench - Exploded View



(Dwg. TPA1831)

232TGSL Air Impact Wrench - Parts List

Item	Part Description	Part Number	Item	Part Description	Part Number
1	Motor Housing Assembly	232TGSL-A40	25	Vane Packet (set of 6 Vanes)	2131-42A-6
2	Throttle Valve Assembly	404-50A	26	Front End Plate	231-11
3	Throttle Valve Face	405-159	27	Rear End Plate	231-12
4	Throttle Valve Spring	R1A-51	28	End Plate Gasket	231-283
5	Throttle Valve Stem	402-302	29	Motor Clamp Washer (2)	227-207
6	Air Strainer Assembly	402-565	30	Hammer Frame	2131-703
7	Trigger	705-93	31	Hammer Pin (2)	231-704
8	Trigger Pin	533-656	32	Hammer Frame Rear Washer	231-706
9	Reverse Valve Bushing	231-A330	33	Hammer (2)	231XP-724
10	Reverse Valve Bushing Seal (2)	P53-67	35	Hammer Case Assembly	232-A727A
11	Reverse Valve	231-329A	35A	Hammer Case Gasket	230-36
12	Reverse Valve Detent Ball	AV1-255	35B	Hammer Case Pilot	405-800
13	Reverse Valve Detent Spring	231-664	36	Hammer Case Bushing	705-941
14	Reverse Valve Knob	231-666	40	Hammer Case Cap Screw (3)	231-638
15	Reverse Valve Knob Screw	231-665	40	Anvil Assembly (1/2" square drive)	231B-A626
16	Grease Fitting	130SR-188	41	Socket Retainer	2135-425
*	Warning Label	WARNING-2-99	42	Retainer O-ring	R1A-159
17	Oil Chamber Plug	R0H-377	*	Housing Boot	232TGSL-P32
*	Oiler Felt	231-63	*	Hammer Case Grip Tape	232TGSL-300
18	Rotor	231-53	*	Hammer Kit (includes illustrated parts 33 [2], 35A, 38 [3] and 40)	231XP-THK1
19	Rear Rotor Bearing	402-22	*	Tube of Grease	105-4T
20	Front Rotor Bearing	4U-97	*	Bottle of Oil	405-M01
21	Rear Rotor Bearing Retainer	402-118	*	Lube Injector	230-228
22	Cylinder	131-3			
23	Cylinder Dowel	230-98			

* Not Illustrated

Parts and Maintenance

When the life of the tool has expired, it is recommended that the tool be disassembled, degreased and parts be separated by material so that they can be recycled.

Tool repair and maintenance should only be carried out by an authorized Service Center.

Refer all communications to the nearest **Ingersoll Rand** Office or Distributor.

Related Documentation

For additional information refer to:

Air Impact Wrench Product Safety Information Manual 04580916.

Air Impact Wrench Product Information Manual 04577441.

Air Impact Wrench Product Maintenance Information Manual 45662202.

Manuals can be downloaded from ingersollrandproducts.com