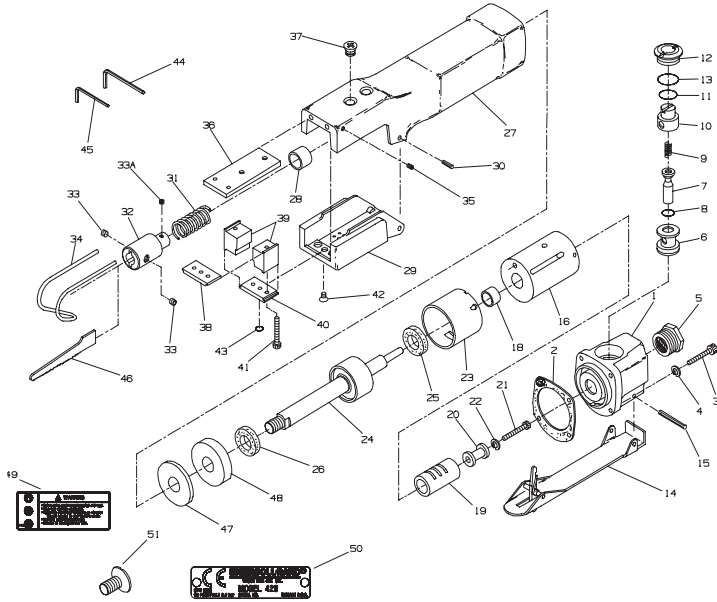


429 Reciprocating Saw Exploded Diagram



(Dwg. TPA1885_B)

429 Reciprocating Saw Parts List

Item	Part Description	Part Number	Item	Part Description	Part Number
1	Valve Block Assembly	329-A53	28	Housing Bushing	
2	Valve Block Gasket	329-739	29	Housing Cover	329-336
3	Valve Block Mounting Screw (4)	329-70	30	Housing Cover Pin (2)	329-339
4	Mounting Screw Washer (4)	329-71	31	Valve Spring	329-103
5	Inlet Bushing	329-565	32	Blade Chuck	329-274
6	Valve Bushing	329-76	33	Blade Chuck Setscrew (2)	329-68
7	Valve Stem	329-302	33	A Chuck Screw	329-69
8	Valve Stem O-Ring	329-381	34	Work Guide	329-321
9	Valve Spring	329-515	35	Work Guide Setscrew	329-108
10	Air Controller	329-424	36	Guide Plate	329-244
11	Air Controller O-Ring	329-380	37	Guide Plate Mounting Screw (2)	
12	Valve Screw	329-669	38	Upper Shoe	329-245
13	Valve Screw O-Ring	329-379	39	Blade Guide (2)	329-246
14	Throttle Lever	329-273	40	Bridge	329-247
15	Throttle Lever Pin	329-120	41	Bridge Mounting Screw (2)	329-34
16	Valve Case Assembly	329-A10	42	Cover Screw	329-338
18	Valve Case Bushing	329-14	43	Cover Screw O-Ring	329-337
19	Valve Sleeve	329-33	44	Blade Chuck Hex Wrench (4mm)	329-27
20	Valve	329-32	45	Work Guide Hex Wrench (2mm)	329-26
21	Valve Screw	329-34	46	Coarse Blade (6)	P4CS-6
22	Valve Screw Washer	329-37		For additional Saw Blade offerings see ingersollrandproducts.com	
23	Cylinder	329-3	47	Washer	429-739
24	Piston Assembly	429-A5	48	Spacer	429-706
25	Rear Bumper	329-222	49	Warning Label	WARNING-7-99
26	Front Bumper	329-221	50	Nameplate	429-301
27	Housing Assembly	429-A40	51	Nameplate Drive Screw (2)	222-302

