



04584587
Edition 5
January 2014

Air Impact Wrench

211 and 212

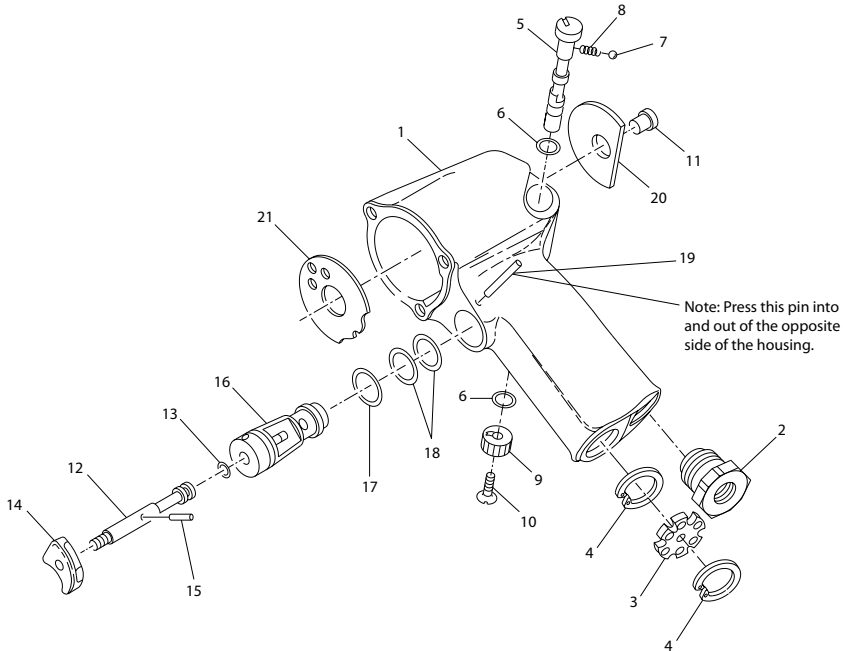
Parts Information



Save These Instructions

 **Ingersoll Rand**[®]

212 Air Impact Wrench Handle - Exploded View



(Dwg. TPA1344)

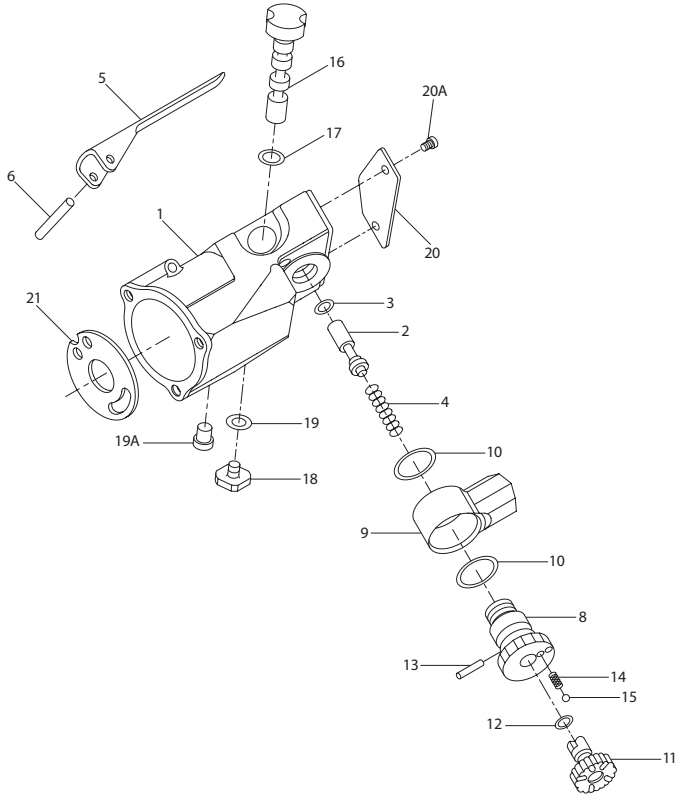
212 Air Impact Wrench Handle - Parts List

Item	Part Description	Part Number	Item	Part Description	Part Number
1	Motor Housing Assembly	212-A40		Throttle Valve Assembly	202-A302
2	Inlet Bushing	402-565	12	Throttle Valve	202-302
† 3	Exhaust Deflector	1702P-123	† • 13	Throttle Valve Face	R000BRIC-283
4	Exhaust Deflector Retaining Ring (2)	2908-304	14	Trigger	5RA-93
5	Reverse Valve	1702P-329	15	Throttle Valve Retaining Pin	AF120-322
† 6	Reverse Valve O-Ring (2)	CE110-210	16	Throttle Valve Bushing	202-503
† 7	Detent Ball	R000B-263	† • 17	Bushing O-Ring, Large	410-283
† 8	Detent Ball Spring	202-664	† 18	Bushing O-Ring, Small (2)	202-290
9	Reverse Valve Knob	1702P-666	19	Bushing Retaining Pin	R100B-120
10	Knob Screw	WWA100-77	20	Nameplate	212-301
11	Grease Fitting	1305R-188	† 21	End Plate Gasket	202-739

† Indicates Tune-up Kit part.

• To Keep downtime to a minimum, it is desirable to have on hand certain repair parts. We recommend that you stock one (pair or set) of each part indicated by a (+) for every four tools in service.

211 Air Impact Wrench Handle - Exploded View



(Dwg. TPA1385-2)

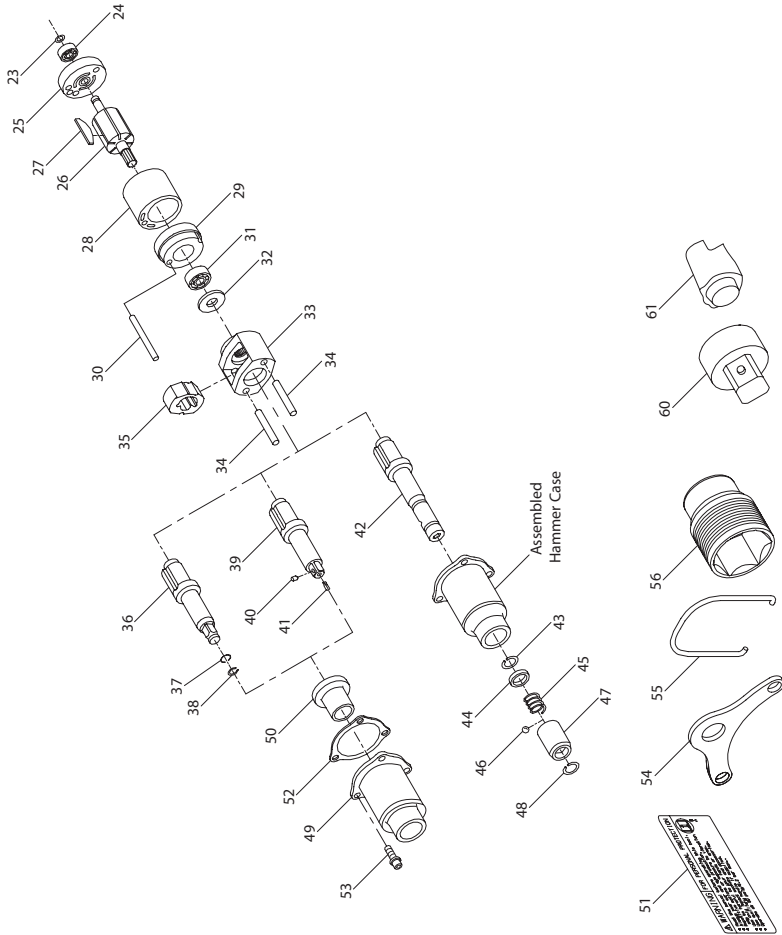
211 Air Impact Wrench Handle - Parts List

Item	Part Description	Part Number	Item	Part Description	Part Number
1	Motor Housing Assembly	211-A40	13	Regulator Retainer	201-250
2	Throttle Valve	R000B2-302	† 14	Detent Spring	201-251
† 3	Throttle Valve Face	401-159	† • 15	Detent Ball	R000B-263
† 4	Throttle Valve Spring	5081T-151	16	Reverse Valve Assembly	1702B-A329
5	Throttle lever	201-273	† 17	Reverse Valve Seal	ROBR1C-283
6	Throttle Pin	502B-120	18	Reverse Valve Stop	401-665
7	Air Inlet Assembly	1702B-A166	† 19	Bushing Seal	CE110-210
8	Swivel Inlet Body	1702B-165	19A	Grease Fitting	130SR-188
9	Swivel Inlet Assembly	1702B-B166	20	Nameplate	211-301
† 10	Swivel Inlet Seal (2)	R18LF-21	20A	Nameplate Screw (3)	BN403-302
11	Power Regulator Assembly	1702B-A249	† 21	End Plate Gasket	401-739
† 12	Power Regulator Seal	R00B1-159			

† Indicates Tune-up Kit part.

• To Keep downtime to a minimum, it is desirable to have on hand certain repair parts. We recommend that you stock one (pair or set) of each part indicated by a (•) for every four tools in service.

211 and 212 Air Impact Wrench End - Exploded View



(Dwg. TPA1345-2)

211 and 212 Air Impact Wrench End - Parts List

Item	Part Description	Part Number	Item	Part Description	Part Number	
† 23	Rear Rotor Bearing Retainer	MF-18	45	Retaining Sleeve Spring	2U-931-4	
† 24	Rear Rotor Bearing	401-22	46	Retaining Ball (5/32" diameter steel ball)	2U-696	
25	Rear End Plate	201-12	47	Retaining Sleeve	2U-930-4	
26	Rotor	401-53	48	Retaining Sleeve Stop	2U-933-4	
† • 27	Vane Packet (set/6)	401-42A-6	49	Hammer Case Assembly	1702-A727	
28	Cylinder	401-3	50	Hammer Case Bushing	401-641	
29	Front End Plate	201-11	51	Warning Label	WARNING-2-99	
30	Cylinder Dowel	HH92-74	† • 52	Hammer Case Gasket	2902-36	
† 31	Front Rotor Bearing	R00H-97	53	Hammer Case Cap Screw (3)	1702-638	
32	Hammer Frame Washer	1702-706	54	Horizontal Hanger	1901-366	
33	Hammer Frame Assembly	1702-A703A	55	Vertical Hanger	1901-365	
34	Hammer Pin (2)	1702-704	56	Socket Adapter (3/8" to 1/2")	2U-215	
35	Hammer	1702-724A	60	Quick Change Chuck		
36	3/8" Square Drive Anvil Assembly (with Ring-type Retainer)	1702-A626		for 1/4" hex shank accessories		2U-A925-4
				for 7/16" hex shank accessories		502-A925-7
† • 37	Socket Retaining Ring	1702-425	61	Boot (for 211 only)	211-P32	
†38	Retainer Support Ring	1702-426	*	0.005" Oversize Hammer Case Bushing	401-641-5	
39	3/8" Square Drive Anvil Assembly (with Pin-type Retainer)	1702-P726	*	Tune-up Kit		
				for 212		212-TK2
† • 40	Socket Retaining Plunger	5020-716		for 211		211-TK2
† 41	Retaining Plunger Spring	401-718				
	Quick-Change Anvil Assembly (1/4" hex)	1702-A926-4				
42	Quick Change Anvil	1702-926-4				
43	Thrust Ring Lock	5C1-853				
44	Thrust Ring	I0A902A2-932-4				

* Not Illustrated.

† Indicates Tune-up Kit part.

• To Keep downtime to a minimum, it is desirable to have on hand certain repair parts. We recommend that you stock one (pair or set) of each part indicated by a (•) for every four tools in service.

Parts and Maintenance

When the life of the tool has expired, it is recommended that the tool be disassembled, degreased and parts be separated by material so that they can be recycled.

Tool repair and maintenance should only be carried out by an authorized Service Center.

Refer all communications to the nearest **Ingersoll Rand** Office or Distributor.

Related Documentation

For additional information refer to:

Product Safety Information Manual 04580916.

Product Information Manual 04584736.

Manuals can be downloaded from ingersollrandproducts.com.

Notes:

Notes:

ingersollrandproducts.com

© 2014 Ingersoll Rand

