



16574287
Edition 5
November 2021

Air Percussive Scaler

172 and 182 Series

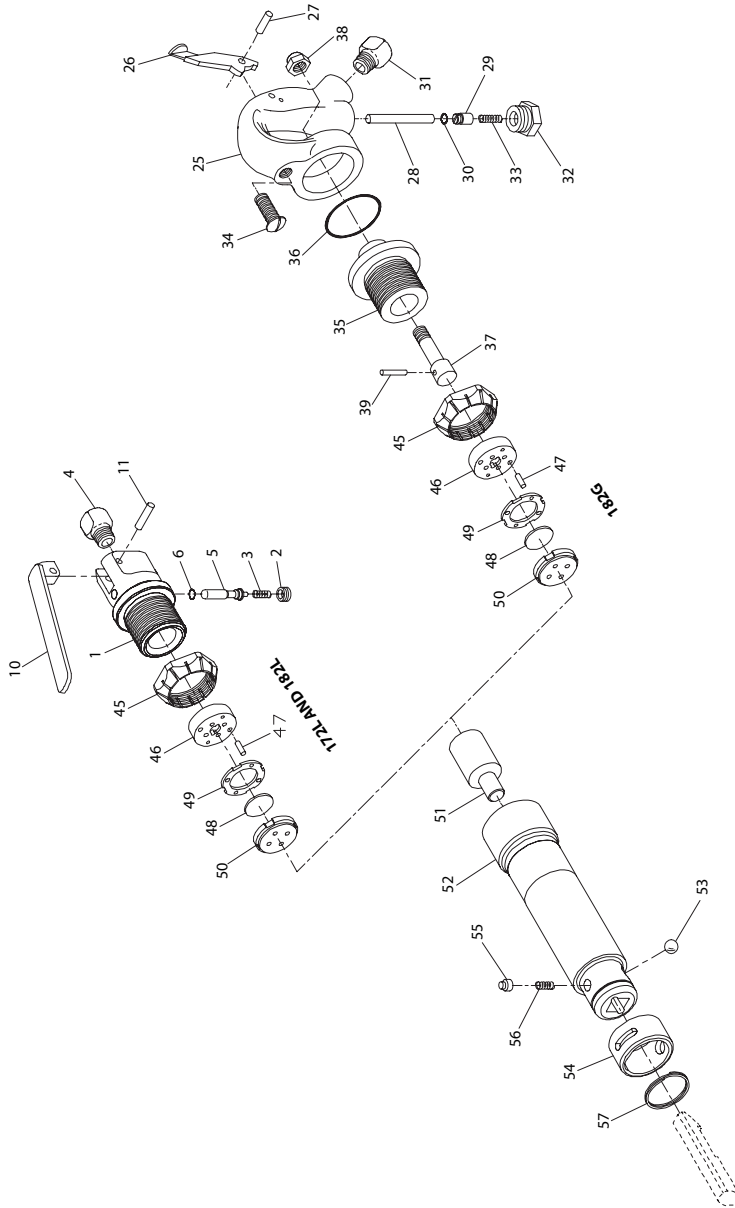
Parts Information



Save These Instructions

 **Ingersoll Rand**[®]

172 and 182 Series, Air Percussive Scaler - Exploded View



(Dwg. TPB983)

172 and 182 Series, Air Percussive Scaler - Parts List

Item	Part Description	Part Number
	Head Block Assembly	WF182-AL160
1	Head Block	WF182-160
2	Throttle Valve Cap	WF-109A
†• 3	Throttle Valve Spring	PX2-626
4	Inlet Bushing	ROB1J61-565
5	Throttle Valve	WF171-49
† 6	Throttle Valve Face	R2F-167
10	Throttle Lever	WF-163A
11	Throttle Lever Pin	WF171-15

• Indicates common-wear parts. Maintain stock to reduce downtime.

† Indicates Tune-up Kit part.

Pistol Grip Throttle Parts List

Item	Part Description	Part Number
	Pistol Grip Handle Assembly	WF171-A1
25	Pistol Grip Handle	WF171-1
• 26	Throttle Lever	AV11-78
• 27	Throttle Lever Pin	C-32
28	Throttle Valve Plunger	AV11-64
29	Throttle Valve	AVC11-402
• 30	Throttle Valve Face	AVC11-259
31	Inlet Bushing	N00-82
32	Throttle Valve Cap	AV11-109
33	Throttle Valve Spring	H02-51
34	Grip Handle Plug	R000A2-266
	Grip Handle Adapter Assembly	WF182-A11
35	Grip Handle Adapter	WF182-11
36	Grip Handle Adapter Seal	MR-614
37	Grip Handle Adapter Bolt	WF171-12
38	Adapter Bolt Nut	WF171-13
39	Adapter Bolt Retaining Pin	514-667
45	Casing Locknut	WF182-27
46	Valve Cap	WF171-4
†• 47	Dowel Pin (2 required)	WF171-32

• Indicates common-wear parts. Maintain stock to reduce downtime.

† Indicates Tune-up Kit part.

Pistol Grip Throttle - Parts List (Continued)

Item	Part Description	Part Number
†• 48	Valve	WF171-2
49	Valve Spacer	WF171-8
50	Valve Seat	WF171-3
51	Piston	
	for Series 172	WF171-5
	for Series 182	WF181-5
# 52	Casing Assembly	
+	for Series 172	WF172-A10A
	for Series 172-EU	WF172-EU-A10A
+	for Series 182	WF182-A10A
	for Series 182-EU	WF182-EU-A10A
*	Warning Label (for models ending in L, G, A1 or K1 only)	WARNING-6-99
†• 53	Retainer Ball	WF171-28
# 54	Retainer Sleeve	WF182-30A
#• 55	Retainer Sleeve Lock Plunger	WF182-716
#†• 56	Plunger Lock Spring	R1-271
†• 57	Retainer Sleeve Lock Ring	WF182-104

• Indicates common-wear parts. Maintain stock to reduce downtime.

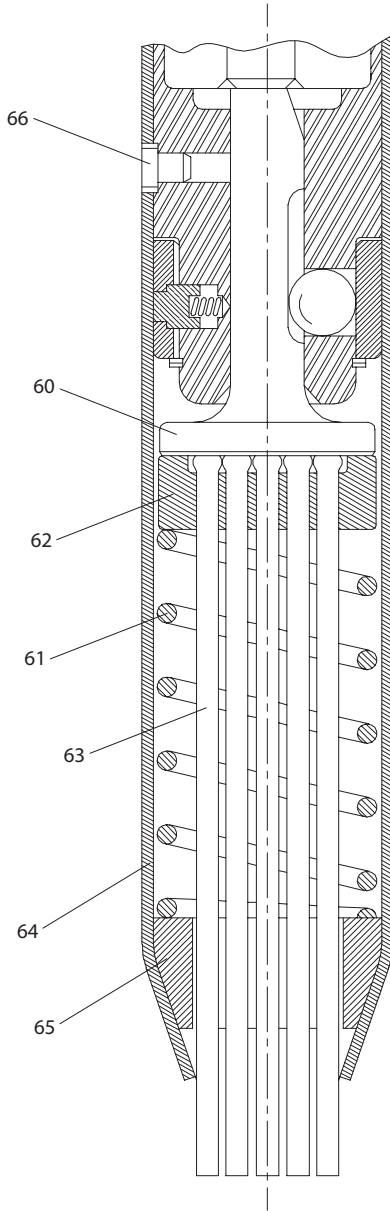
† Indicates Tune-up Kit part.

In November, 1975 the chisel retaining mechanism of the 172 and 182 Weld Flux Scalers was redesigned to provide a positive locking system in which the Retainer Sleeve (54) is locked against rotation and the Chisel or other accessory is positively locked into the nozzle of the tool. The old style locking mechanism is easily identified by a knurled sleeve having a wraparound spring while the new style locking mechanism has a smooth sleeve and a spring-loaded locking pin that engages a slot in the sleeve. The old style Casing Assembly (WF172-A10 or WF182-A10), Retainer Sleeve (WF182-30) and Retainer Sleeve Spring (WF182-103) are no longer available as repair parts. If any of these old style parts are required, a new Casing Assembly must be ordered and installed. We strongly recommend this conversion be made to any Scaler having the old style retaining mechanism.

+ Casings (52) with the following stamping are for use in non-European countries only.

Ingersoll Rand
Davidson, NC 28036, USA.

NS11 Needle Scaler Attachment

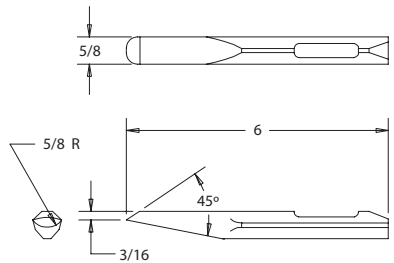
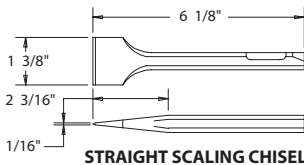
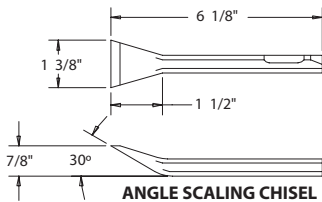
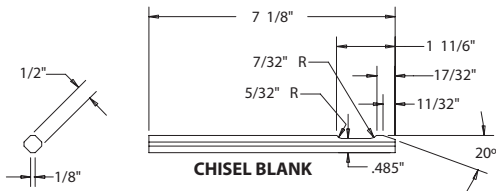


(Dwg. TPC314-4)

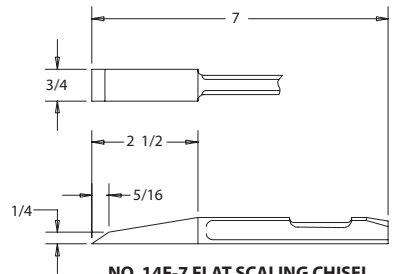
Needle Scaler Attachment - Parts List

Item	Part Description	Part Number
	Needle Scaler Attachment	
	with standard steel needles, round housing	NS11A
	with stainless steel needles, round housing	NS11AS
	with beryllium copper needles, round housing	NS11AB
	with standard steel needles, rectangular housing	NS11B
	with stainless steel needles, rectangular housing	NS11BS
	with beryllium copper needles, rectangular housing	NS11BB
	with 7" standard steel needles round housing	NS11A7
	with 7" standard steel needles rectangular housing	NS11B7
60	Anvil	NS11-20
61	Anvil Spring	NS11-27
62	Needle Holder	NS11-21
63	Needle (pack of 19)	
	standard steel (for NS11A Attachment)	NS11-22-19
	stainless steel (for N11AS Attachment)	NS11-S22-19
	beryllium copper (for NS11AB Attachment)	NS11-B22-19
	7" standard steel (for NS11A7 and NS11B7 Attachment)	NS11-122-19
64	Needle Housing (rectangular)	NS11-124
	Needle Housing Assembly (round)	NS11-A24
64	Housing	---
65	Spring Seat	---
66	Needle Attachment Anchor Pin	WF182-106A

Accessories Exploded View



(Dwg. TPD146-1)



(Dwg. TPC187)

(Dwg. TPD143-1)

172 and 182 Series, Air Percussive Scaler - Parts List

Item	Part Description	Part Number
58	Chisel	
	Blank (7-1/8" overall)	WF-14-7-1/8
	Angle Scaling Chisel (6-1/8" overall; 1-3/8" wide blade)	WF-14A-6-1/8
	Straight Scaling Chisel (6-1/8" overall; 1-3/8" wide blade)	WF-14B-6-1/8
	Straight Scaling Chisel (11-1/2" overall; 1-3/8" wide blade)	WF-14B-11-1/2
	Gouge Chisel (6" overall; 5/8" wide)	WF-14G-6
	Flat Scaling Chisel (7" overall; 3/4" wide blade)	WF-14F-7
59	Star Drill	
	3/8" diameter; 6-1/2" overall	WF-114-3/8
	1/2" diameter; 6-1/2" overall	WF-114-1/2
	5/8" diameter; 9" overall	WF-114-5/8
	3/4" diameter; 9" overall	WF-114-3/4
	7/8" diameter; 9" overall	WF-114-7/8
	1" diameter; 12" overall	WF-114-1
	1-1/8" diameter; 12" overall	WF-114-1-1/8
*	Hose Whip (8 ft. of 5/16" hose)	R0-130
*	Male Hose Nipple (5/16" hose to 1/4" male pipe)	AV1-46
*	Female Hose Nipple (5/16" hose to 3/8" female pipe)	R1-47
*	Tune-up Kit (includes illustrated items 3, 6 or 20, 47, 48, 53, 56 and 57)	172-TK2

* Indicates not illustrated.

Parts and Maintenance

When tool life has expired, it is recommended that the tool be disassembled, degreased and parts separated by material for proper recycling.

Tool repair and maintenance should only be carried out by an authorized Service Center.

Refer all communications to the nearest **Ingersoll Rand** office or distributor.

Related Documentation

Manuals can be downloaded from ingersollrand.com

For additional information, refer to:

Product Safety Information Manual 04581450

Product Maintenance Information Manual 16574204

Product Information Manual 16574121

[ingersollrand.com](https://www.ingersollrand.com)

© 2021 *Ingersoll Rand*

