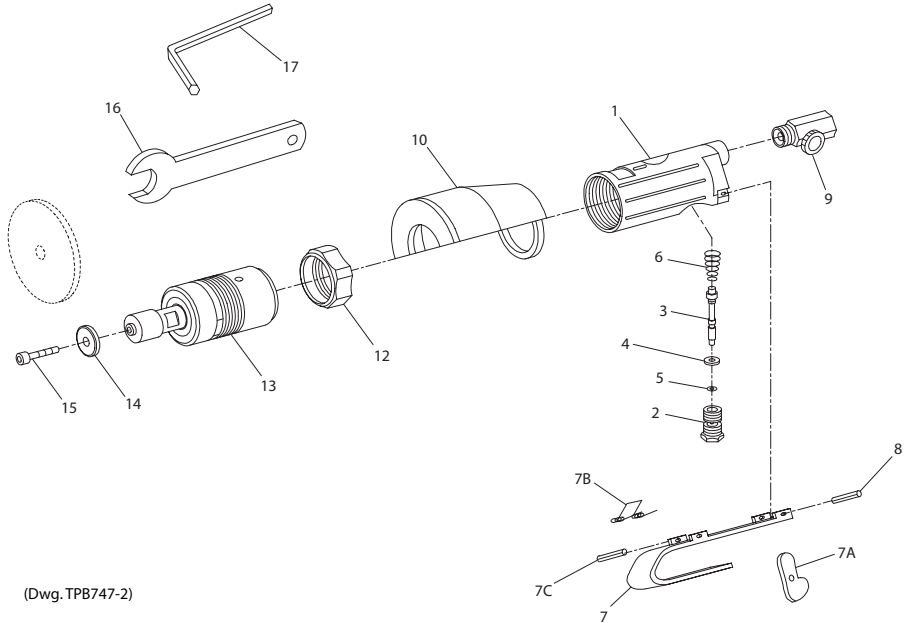


Model 326 Cut-Off Air Tool - Exploded View



(Dwg. TPB747-2)

Model 326 Cut-Off Air Tool - Parts List

Item	Part Description	Part Number	Item	Part Description	Part Number
1	Motor Housing	326-40	8	Throttle Lever Pin	326-120
*	Warning Label	WARNING- 20-99	9	Regulator Assembly	326-250
2	Throttle Valve	326-50	10	Steel Spark Shield	326-931
3	Throttle Valve Stem Assembly	326-A152	12	Spark Shield Lock Nut	326-27
4	Valve Stem Seal	326-160	13	Motor Assembly	326-A53
5	Plunger Seal	326-159	14	Wheel Flange	326-337
6	Throttle Valve Spring	326-51	15	Wheel Flange Screw	326-338
7	Throttle Lever Assembly	326-A400	16	Arbor Wrench	326-69
7A	Throttle Lever Latch	326-402	17	Flange Screw Wrench	326-68
7B	Latch Spring	326-405	*	Nameplate	326-301
7C	Latch Pin	326-739	*	Nameplate Drive Screw (2)	326-302

* Not Shown

Parts and Maintenance

When the life of the tool has expired, it is recommended that the tool be disassembled, degreased and parts be separated by material so that they can be recycled.

Tool repair and maintenance should only be carried out by an authorized Service Center.

Refer all communications to the nearest **Ingersoll Rand** Office or Distributor.

Related Documentation

For additional information refer to:

Product Safety Information Manual 45661436.

Product Information Manual 45661329.

Manuals can be downloaded from ingersollrandproducts.com