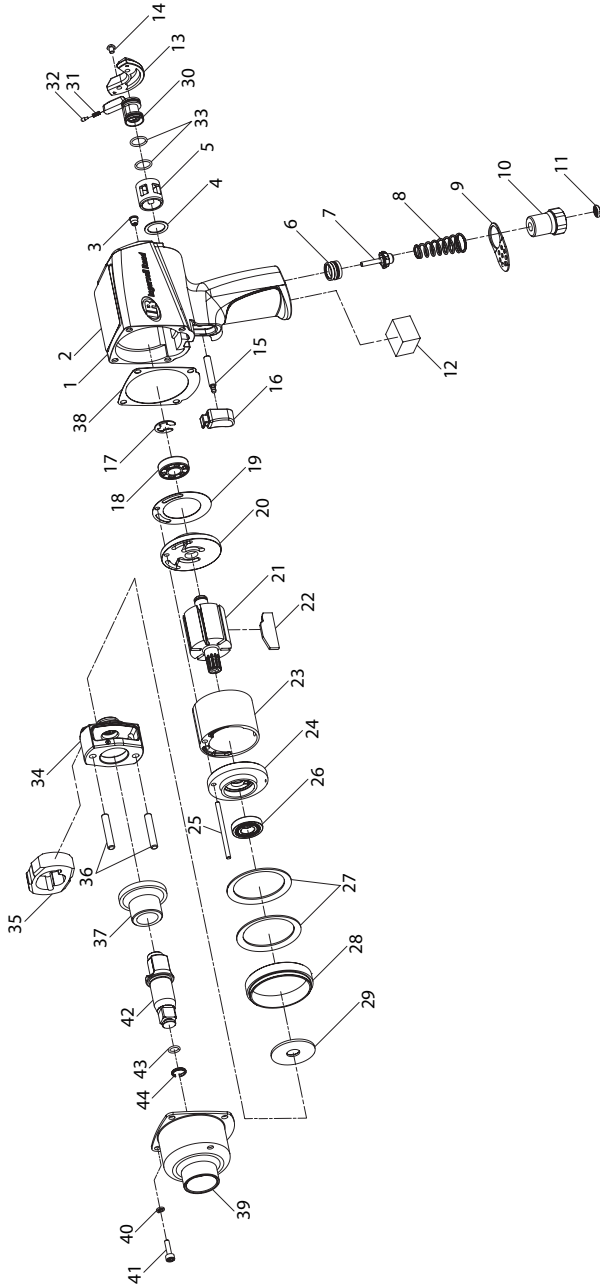


236 Air Impact Wrench - Exploded View



(Dwg. 80202211)



80202989
Edition 3
January 2014

236 Air Impact Wrench - Parts List

| Item | Part Description | Part Number | Item | Part Description | Part Number |
|------|----------------------------|-------------|------|---|--------------|
| | Housing Assy | 236-A40 | 25 | Cylinder Dowel | 230-98 |
| 1 | Housing | --- | 26 | Front Rotor Bearing | 4U-97 |
| 2 | Nameplate/Warning Label | 236-301 | 27 | Motor Clamp Washer (2) | 227-207 |
| 3 | Grease Fitting | 131-188 | 28 | Hammer Case Pilot | 236-800 |
| 4 | Reverse Bushing Seal | --- | 29 | Rear Frame Washer | 231-706 |
| 5 | Reverse Valve Bushing | --- | | Reverse Valve Kit | 236-A329 |
| 6 | Valve Seat | --- | 30 | Reverse Valve | --- |
| 7 | Throttle Valve | 131-50 | 31 | Spring | --- |
| 8 | Valve Spring | 131-51 | 32 | Detent Retainer | --- |
| 9 | Exhaust Deflector | 236-23 | 33 | Reverse Valve Seal (2) | --- |
| 10 | Inlet Bushing Assy | 131-565 | 34 | Hammer Frame | 236-703 |
| 11 | Inlet Screen | --- | 35 | Hammer | 231XP-724 |
| 12 | Exhaust Silencer | 235-311 | 36 | Hammer Pin (2) | 2903P-704 |
| | Exhaust Valve Retainer Kit | 236-A119 | | Hammer Case Kit | 236-K727 |
| 13 | Reverse Valve Retainer | --- | 37 | Hammer Case Bushing | --- |
| 14 | Reverse Valve Screw (2) | --- | 38 | Hammer Case Gasket | --- |
| | Trigger Assembly | 236-A93 | | Hammer Case | --- |
| 15 | Trigger Shaft | --- | 40 | Lock Washer (4) | --- |
| 16 | Trigger | --- | 41 | Hammer Case Screw (4) | --- |
| 17 | Bearing Retainer | 131-118 | | Anvil Assembly | 236-A626 |
| 18 | Rear Rotor Bearing | 402-22 | 42 | Anvil | --- |
| 19 | End Plate Gasket | PF800-283 | | Socket Retainer Kit | 2125QTi-K425 |
| 20 | Rear End Plate | 231-12 | 43 | O-ring | --- |
| 21 | Rotor | 231-53 | 44 | Socket retainer Spring | --- |
| 22 | Vane Pack (set of 6) | 2131-42A-6 | | Tune Up Kit | 236-TK1 |
| 23 | Cylinder | 407-3 | | Contains Items 7, 12, 17, 18, 19, 22, 26 and 38 | |
| 24 | Front End Plate | 231-11 | | | |

Parts and Maintenance

When the life of the tool has expired, it is recommended that the tool be disassembled, degreased and parts be separated by material so that they can be recycled.

Tool repair and maintenance should only be carried out by an authorized Service Center.

Refer all communications to the nearest **Ingersoll Rand** Office or Distributor.

Related Documentation

For additional information refer to:

Air Impact Wrench Product Safety Information Manual 04580916.

Air Impact Wrench Product Information Manual 80198336.

Manuals can be downloaded from ingersollrandproducts.com.