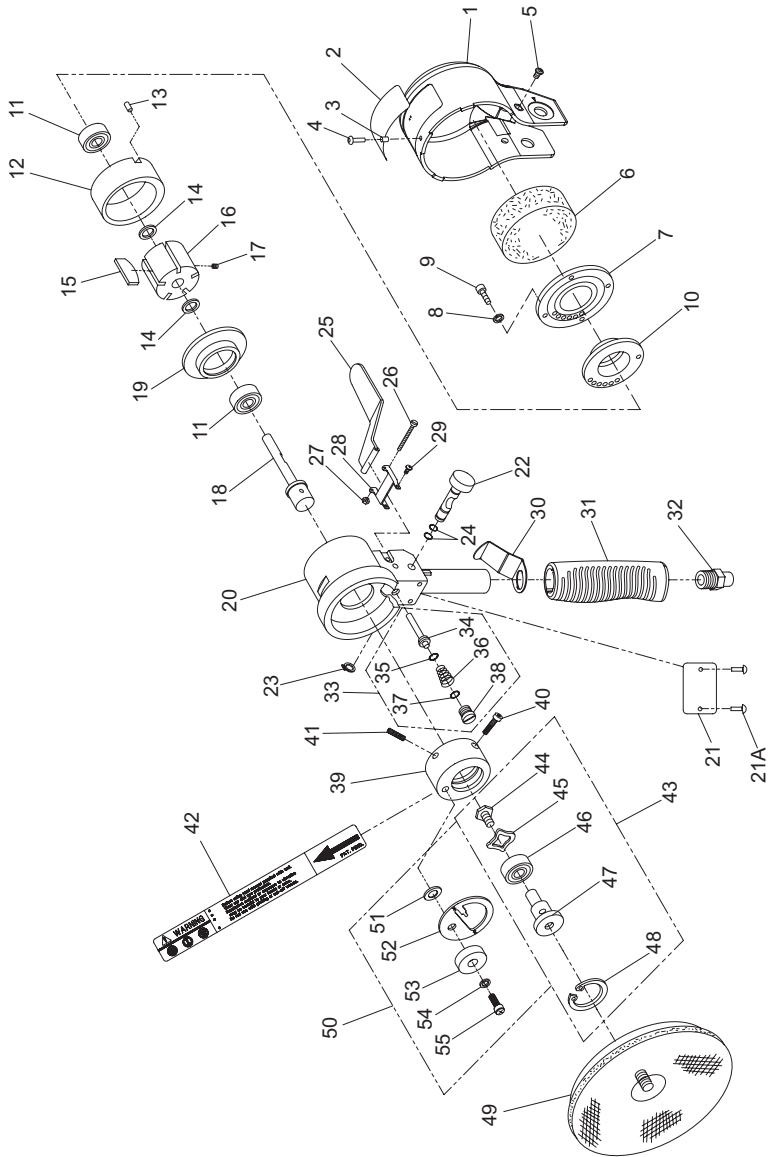


# 311A Dual-Action Angle Sander Exploded Diagram



(Dwg. TP1663-2)



## 311A Dual-Action Angle Sander Parts List

Item	Part Description	Part Number	Item	Part Description	Part Number
1	Motor Cover Assembly	311A-A109	28	Lever Bracket Assembly	311A-A274
2	Label	311A-300	29	Screw (2)	
3	Sleeve		30	Second Lever	311A-275
4	Rivet		31	Hand Grip	311A-160
5	Screw (2)	311A-78	32	Air Inlet Bushing	311A-565
6	Muffler	311A-311	33	Valve Assembly	311A-A161
7	Rotor Fixing Plate Assembly	311A-A118	34	Valve Stem	
8	Washer (4)		35	O-Ring	
9	Screw (4)		36	Spring	
10	Rear End Plate	311A-12	37	O-Ring	
11	Rotor Bearing	311A-24	38	Screw	
12	Cylinder	311A-3	39	Balance Body Assembly	311A-A236
13	Pin	311A-114	40	Screw	
14	Shim	311A-25	41	Set Screw	
15	Vane Packet (set of 5 Vanes)	311A-42-5	42	Warning Label	WARNING-25-99
16	Rotor	311A-53	43	Pad Shaft Assembly	311A-A235
17	Screw	311A-55	44	Screw	
18	Spindle	311A-54	45	Wave Washer	
19	Front End Plate	311A-11	46	Bearing	311A-97
20	Handle	311A-A159	47	Mounting Shaft	311A-235
21	Name Plate	311A-301	48	Retaining Ring	
21A	Name Plate Rivet (2)	PF100-256	49	Sanding Pad	311A-825-6
22	Regulator Assembly	311A-A165	50	Drive Plate Assembly	311A-A800
23	Retaining Ring		51	Washer	
24	O-Ring (2)		52	Drive Plate	
25	Lever Assembly	311A-A273	53	Balance Nut	
26	Lever Screw		54	Washer	
27	Nut		55	Screw	

### Parts and Maintenance

When the life of the tool has expired, it is recommended that the tool be disassembled, degreased and parts be separated by material so that they can be recycled.

Tool repair and maintenance should only be carried out by an authorized Service Center.

Refer all communications to the nearest **Ingersoll Rand** Office or Distributor.

### Related Documentation

For additional information refer to:

Product Safety Information Manual 04580387.

Air Sander Product Information Manual 80156649.

Manuals can be downloaded from [ingersollrandproducts.com](http://ingersollrandproducts.com)

