



**TL-360-PLM**  
Edition 1  
September 2020

## **Air Belt Sander**

**360-313**

**360-418**

---

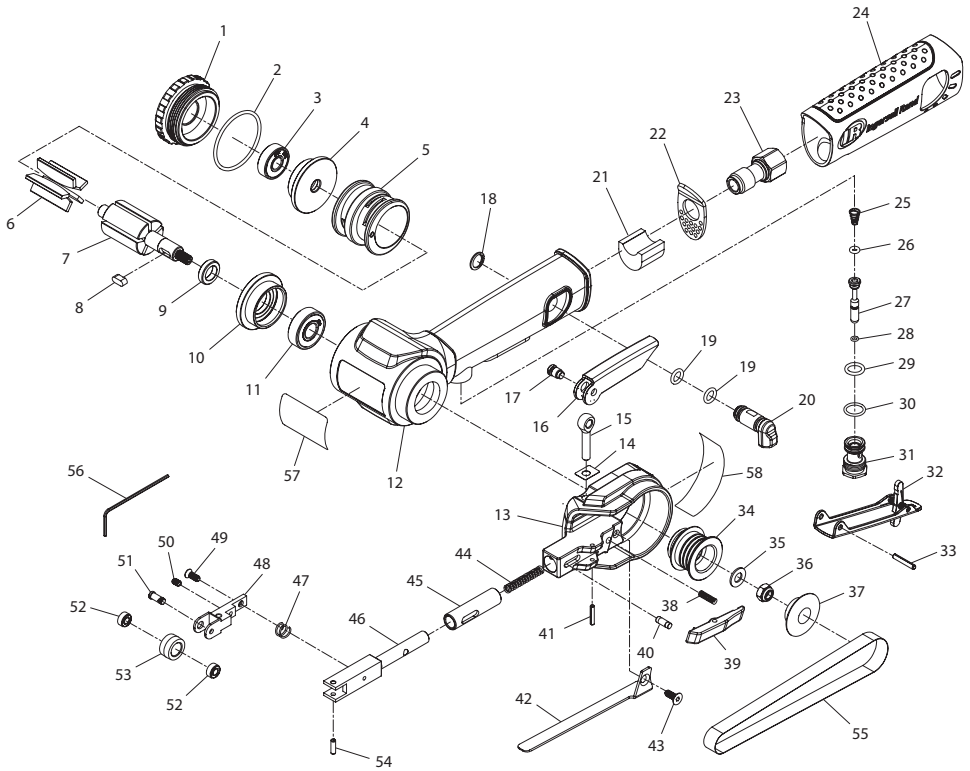
## **Parts Information**



**Save These Instructions**

 **Ingersoll Rand®**

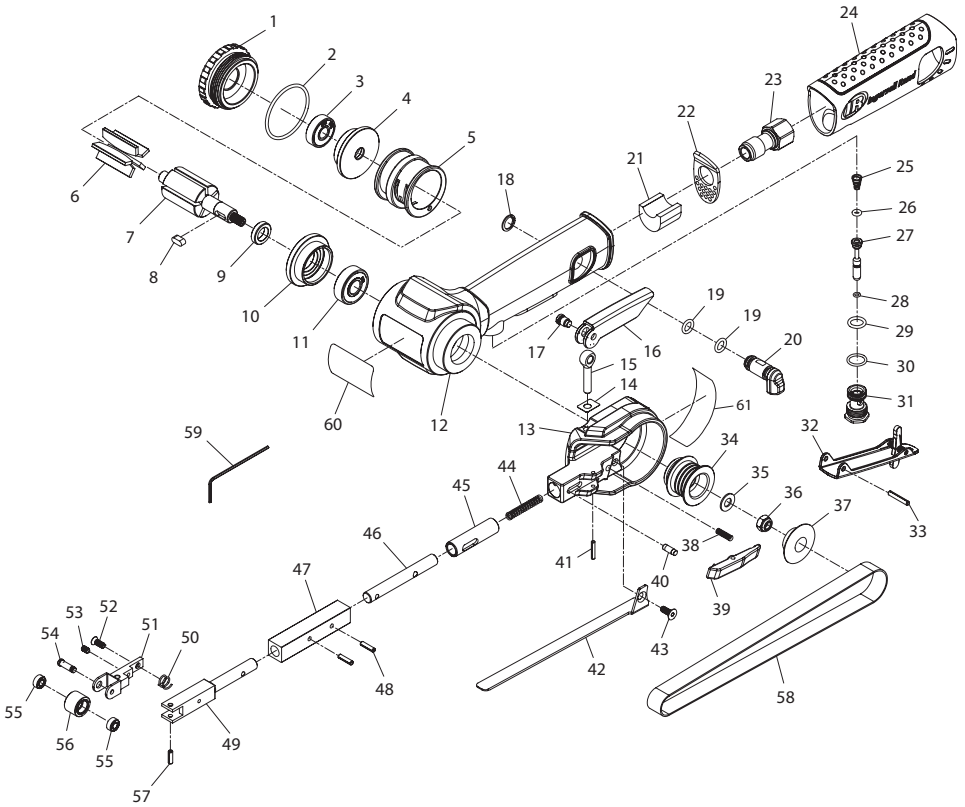
Figure 1. Exploded View - 360-313



### 360-313 Air Belt Sander - Parts List

Item	Part Description	Part Number / CCN	Item	Part Description	Part Number / CCN
	Motor Cap Assembly	TA-360-531		Lever Actuator Kit	TK-360-402
1	Cap	---	32	Lever	---
2	O-Ring	---	33	Spring Pin	---
	Rear End Plate Assembly	TA-360-012		Drive Wheel Kit	TK-360-472
3	Ball Bearing	---	8	Key	---
4	Rear End Plate	---	34	Drive Pulley	---
5	Cylinder	TP-360-003	35	Washer	---
6	Rotor Blade	TK-360-042	36	Hex Nut	---
7	Rotor	TP-360-053	37	Pulley Cover	---
9	Spacer	TP-360-591		Belt Change Button Kit	TK-360-031
	Front End Plate Assembly	TA-360-011	38	Stopper Spring	---
10	Front End Plate	---	39	Plate Buckle	---
11	Ball Bearing	---	40	Stopper Pin	---
	Housing Kit	TK-360-313-040	41	Spring Pin	---
12	Housing	---		Belt Support Kit	TK-360-313-292
24	Housing Cover	---	42	Shoe	---
57	Product Label	---	43	Hex Socket Headless Set Screw	---
	Belt Housing Kit	TK-360-441		Belt Arm Kit	TK-360-313-555
13	Guard Body	---	44	Tension Spring	---
14	Washer	---	46	Tension Bar	---
15	Bar	---	47	Spring	---
16	Load Shaft	---	48	Bracket	---
17	Screw	---	49	Hex Socket Headless Set Screw	---
38	Stopper Spring	---	50	Set Screw	---
39	Plate Buckle	---	51	Idle Pulley Screw	---
40	Stopper Pin	---	52	Ball Bearing	---
41	Spring Pin	---	53	Idle Pulley	---
45	Guard Bushing	---	54	Spring Pin	---
58	Warning Label	---		Idle Pulley Kit	TK-360-313-722
	Belt Arm Lever Kit	TK-360-400	51	Idle Pulley Screw	---
14	Washer	---	52	Ball Bearing	---
15	Bar	---	53	Idle Pulley	---
16	Load Shaft	---	55	Sanding Belt Kit 3/8"x13" (10mm x 330mm)	360-313-KIT-BELT
17	Screw	---		60 Grit Sanding Belt	
	Flow Regulator Assembly	TK-360-249		80 Grit Sanding Belt	
18	Retaining Ring	---		100 Grit Sanding Belt	
19	O-Ring	---	56	Hex Wrench	TP-360-026
20	Air Regulator	---		Label Kit	TK-360-313-099
21	Muffler	TP-360-311	57	Product Label	---
22	Exhaust Diffuser	TP-360-123	58	Warning Label	---
23	Inlet Bushing	TA-360-565			
	Throttle Assembly	TA-360-302			
25	Valve Spring	---			
26	O-Ring	---			
27	Valve Stem	---			
28	O-Ring	---			
29	O-Ring	---			
30	O-Ring	---			
31	Valve Body	---			

Figure 2. Exploded View - 360-418



### 360-418 Air Belt Sander - Parts List

Item	Part Description	Part Number / CCN	Item	Part Description	Part Number / CCN
	Motor Cap Assembly	TA-360-531		Lever Actuator Kit	TK-360-402
1	Cap	---	32	Lever	---
2	O-Ring	---	33	Spring Pin	---
	Rear End Plate Assembly	TA-360-012		Drive Wheel Kit	TK-360-472
3	Ball Bearing	---	8	Key	---
4	Rear End Plate	---	34	Drive Pulley	---
5	Cylinder	TP-360-003	35	Washer	---
6	Rotor Blade	TK-360-042	36	Hex Nut	---
7	Rotor	TP-360-053	37	Pulley Cover	---
9	Spacer	TP-360-591		Belt Change Button Kit	TK-360-031
	Front End Plate Assembly	TA-360-011	38	Stopper Spring	---
10	Front End Plate	---	39	Plate Buckle	---
11	Ball Bearing	---	40	Stopper Pin	---
	Housing Kit	TK-360-418-040	41	Spring Pin	---
12	Housing	---		Belt Support Kit	TK-360-418-292
24	Housing Cover	---	42	Shoe	---
60	Product Label	---	43	Hex Socket Headless Set Screw	---
	Belt Housing Kit	TK-360-441		Belt Arm Kit	TK-360-418-555
13	Guard Body	---	44	Tension Spring	---
14	Washer	---	46	Extension Shaft	---
15	Bar	---	47	Extension Bar	---
16	Load Shaft	---	48	Spring Pin	---
17	Screw	---	49	Tension Bar	---
38	Stopper Spring	---	50	Spring	---
39	Plate Buckle	---	51	Bracket	---
40	Stopper Pin	---	52	Hex Socket Headless Set Screw	---
41	Spring Pin	---	53	Set Screw	---
45	Guard Bushing	---	54	Idle Pulley Screw	---
61	Warning Label	---	55	Ball Bearing	---
	Belt Arm Lever Kit	TK-360-400	56	Idle Pulley	---
14	Washer	---	57	Spring Pin	---
15	Bar	---		Idle Pulley Kit	TK-360-418-722
16	Load Shaft	---	54	Idle Pulley Screw	---
17	Screw	---	55	Ball Bearing	---
	Flow Regulator Assembly	TK-360-249	56	Idle Pulley	---
18	Retaining Ring	---	58	Sanding Belt Kit 1/2"x18" (13mm x 457mm)	360-418-KIT-BELT
19	O-Ring	---		60 Grit Sanding Belt	
20	Air Regulator	---		80 Grit Sanding Belt	
21	Muffler	TP-360-311		100 Grit Sanding Belt	
22	Exhaust Diffuser	TP-360-123	59	Hex Wrench	TP-360-026
23	Inlet Bushing	TA-360-565		Label Kit	TK-360-418-099
	Throttle Assembly	TA-360-302	60	Product Label	---
25	Valve Spring	---	61	Warning Label	---
26	O-Ring	---			
27	Valve Stem	---			
28	O-Ring	---			
29	O-Ring	---			
30	O-Ring	---			
31	Valve Body	---			

---

## **Parts and Maintenance**

When tool life has expired, it is recommended that the tool be disassembled, degreased and parts separated by material for proper recycling.

Tool repair and maintenance should only be carried out by an authorized Service Center.

Refer all communications to the nearest **Ingersoll Rand** office or distributor.

---

## **Related Documentation**

Manuals can be downloaded from [ingersollrand.com](http://ingersollrand.com)

For additional information, refer to:

Product Safety Information Manual 04584942

Product Information Manual TL-360-PIM

Declaration of Conformity TL-360-DOC

**Notes:**

---

[ingersollrandproducts.com](https://www.ingersollrandproducts.com)

© 2020 *Ingersoll Rand*

