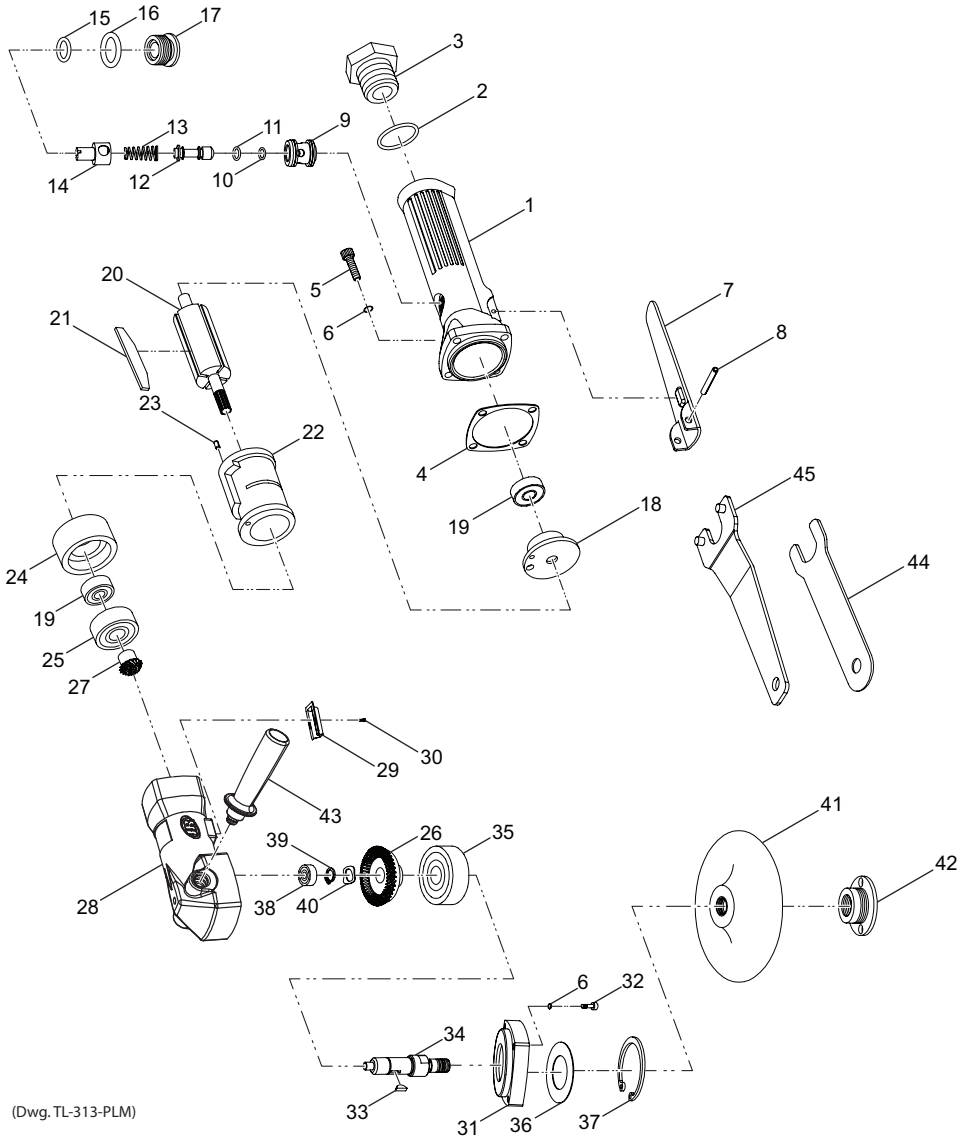


313-B and 314-B, Angle Sander and Angle Polisher - Exploded View



(Dwg. TL-313-PLM)

## 313-B and 314-B, Angle Sander and Angle Polisher - Parts List

| Item | Part Description         | Part Number | Item | Part Description                       | Part Number   |
|------|--------------------------|-------------|------|--|---------------|
|      | Throttle Handle Assembly | 313-B-A160  |      | Gear Assembly                          |               |
| 1    | Throttle Handle          | ---         |      | for 313-B                              | 313-B-A552    |
| 2    | O-Ring                   | 313-B-282   |      | for 314-B                              | 314-B-A552    |
| 3    | Inlet Bushing            | 313-B-565   | 26   | Pinion Gear                            | ---           |
|      | Gasket Kit               | 313-B-A283  | 27   | Pinion                                 | ---           |
| 4    | Throttle Gasket          | ---         |      | Angle Housing Assembly                 |               |
| 5    | Cap Screw (4 required)   | ---         |      | for 313-B                              | 313-B-A550    |
| 6    | Lock Washer (4 required) | ---         |      | for 314-B                              | 314-B-A550    |
|      | Lever Assembly           | 313-B-A273  | 28   | Angle Housing                          | 313-40        |
| 7    | Throttle Lever           | ---         |      | Warning Label                          | WARNING-45-99 |
| 8    | Throttle Lever Pin       | ---         |      | Exhaust Assembly                       | 313-B-A123    |
|      | Throttle Assembly        | 313-B-A302  | 29   | Exhaust Deflector                      | ---           |
| 9    | Throttle Valve           | ---         | 30   | Deflector Retaining Screw (2 required) | ---           |
| 10   | O-Ring                   | ---         |      | Bearing Housing Assembly               | 313-B-A555    |
| 11   | O-Ring                   | ---         | 31   | Bearing Housing                        | ---           |
| 12   | Throttle Valve Stem      | ---         | 32   | Cap Screw (4 required)                 | ---           |
| 13   | Throttle Valve Spring    | ---         | 6    | Lock Washer (4 required)               | ---           |
| 14   | Speed Regulator          | ---         |      | Arbor Assembly                         | 313-B-A591    |
| 15   | Regulator Seal           | ---         | 33   | Arbor Key                              | ---           |
| 16   | Valve Cap Seal           | ---         | 34   | Arbor                                  | ---           |
| 17   | Throttle Valve Cap       | ---         | 35   | Arbor Lower Bearing                    | ---           |
|      | Rear End Plate Assembly  | 313-B-A12   | 36   | Spacer                                 | ---           |
| 18   | Rear End Plate           | ---         | 37   | Bearing Retaining Ring                 | ---           |
| 19   | Rotor Bearing            | ---         | 38   | Rotor Bearing                          | ---           |
|      | Rotor Assembly           | 313-B-A53   | 39   | Gear Retaining Ring                    | ---           |
| 20   | Rotor                    | ---         | 40   | Spring Washer                          | ---           |
| 21   | Vane Pack (set of 4)     | 313-B-42-4  |      | Pad                                    | 313-B-825-7   |
|      | Cylinder Assembly        | 313-B-A3    | 41   | Pad                                    | ---           |
| 22   | Cylinder                 | ---         |      | Pad Warning Label                      | WARNING-1-PAD |
| 23   | Cylinder Alignment Pin   | ---         | 42   | Pad Nut                                | 313-B-226     |
|      | Front End Plate Assembly | 313-B-A11   | 43   | Dead handle                            | 313-B-48      |
| 24   | Front End Plate          | ---         |      | Wrench Kit                             | 313-B-69      |
| 19   | Rotor Bearing            | ---         | 44   | Arbor Wrench                           | ---           |
| 25   | Pinion Bearing           | ---         | 45   | Disc Wrench                            | ---           |

### Parts and Maintenance

When tool life has expired, it is recommended that the tool be disassembled, degreased and parts separated by material for proper recycling.

Tool repair and maintenance should only be carried out by an authorized Service Center.

Refer all communications to the nearest **Ingersoll Rand** office or distributor.

### Related Documentation

Manuals can be downloaded from [ingersollrand.com](http://ingersollrand.com)

For additional information, refer to:

Product Safety Information Manual 04580387

Product Information Manual TL-313-PIM

Declaration of Conformity TL-313-DOC